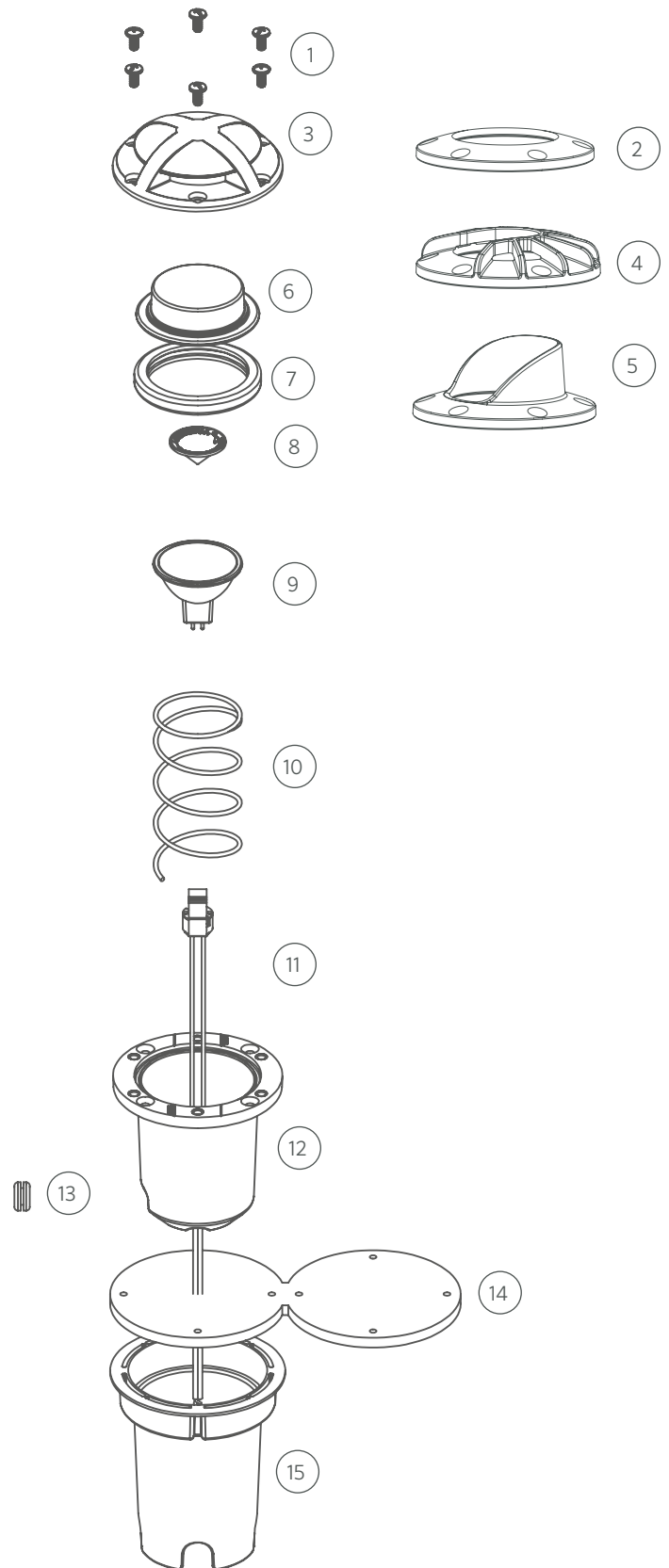


# STANDARD | IN-GRADE LIGHT | FC

## Replacement Parts

ITEM	DESCRIPTION	CATALOG #
1	Screw, #10-24 x 3/8"	250015870000
2	Faceplate Option: Brass Ring	FCFPRGXX*
	Faceplate Option: Camo Bronze Ring	250014330000
3	Faceplate Option: Brass Ground Wash	FCFPGW-ZZZ*-XX*
	Faceplate Option: Brass Louver	FCFPLV-XX*
4	Faceplate Option: Camo Bronze Louver	250014320000
	Faceplate Option: Brass Cowling	FCFPCW-XX*
5	Faceplate Option: Camo Bronze Cowling	250014310000
	Lens, Clear	250014240000
7	Lens Seal	250014250000
8	Reflector, Upper, 3X, G2	771000
9	Lamp, MR-16	See Lamp Chart
10	Spring, Compression, FC	250030420000
11	Socket Assembly, MR-16, 18GA SPT-1	761600
12	Inner Housing	250013510000
13	Grommet, Push-in, Rubber, Black	250013570000
14	FC Cardboard Cover	250026950000
15	Outer Housing	250014260000

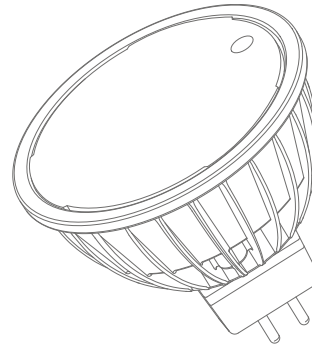
\*XX = Finish code



# STANDARD | IN-GRADE LIGHT | FC

## MR-16 LED Lamp Chart

DESCRIPTION	CATALOG #
LED, MR-16, 20 W, 10°, 2700K, 40,000 Hrs	MR16LED20WVN
LED, MR-16, 20 W, 35°, 2700K, 40,000 Hrs	MR16LED20WFL
LED, MR-16, 20 W, 60°, 2700K, 40,000 Hrs	MR16LED20WWF
LED, MR-16, 35 W, 10°, 2700K, 40,000 Hrs	MR16LED35WVN
LED, MR-16, 35 W, 35°, 2700K, 40,000 Hrs	MR16LED35WFL
LED, MR-16, 35 W, 60°, 2700K, 40,000 Hrs	MR16LED35WWF
LED, MR-16, 50 W, 35°, 2700K, 40,000 Hrs	MR16LED50WFL
LED, MR-16, 4 W, 10°, 3000K, 40,000 Hrs	MR16LED20SVN
LED, MR-16, 4 W, 35°, 3000K, 40,000 Hrs	MR16LED20SFL
LED, MR-16, 4 W, 60°, 3000K, 40,000 Hrs	MR16LED20SWF
LED, MR-16, 5 W, 10°, 3000K, 40,000 Hrs	MR16LED35SVN
LED, MR-16, 5 W, 35°, 3000K, 40,000 Hrs	MR16LED35SFL
LED, MR-16, 5 W, 60°, 3000K, 40,000 Hrs	MR16LED35SWF
LED, MR-16, 6 W, 35°, 3000K, 40,000 Hrs	MR16LED50SFL
LED, MR-16, 20 W, 10°, 3900K, 40,000 Hrs	MR16LED20CVN
LED, MR-16, 20 W, 35°, 3900K, 40,000 Hrs	MR16LED20CFL
LED, MR-16, 20 W, 60°, 3900K, 40,000 Hrs	MR16LED20CWF
LED, MR-16, 35 W, 10°, 3900K, 40,000 Hrs	MR16LED35CVN
LED, MR-16, 35 W, 35°, 3900K, 40,000 Hrs	MR16LED35CFL
LED, MR-16, 35 W, 60°, 3900K, 40,000 Hrs	MR16LED35CWF
LED, MR-16, 50 W, 30°, 3900K, 40,000 Hrs	MR16LED50CFL



## MR-16 Eco Lamp Chart

DESCRIPTION	CATALOG #
LED, MR-16 Eco, 20 W, 35°, 2700K, 30,000 Hrs	MR16ECO20WFL
LED, MR-16 Eco, 20 W, 60°, 2700K, 30,000 Hrs	MR16ECO20WWF
LED, MR-16 Eco, 50 W, 35°, 2700K, 30,000 Hrs	MR16ECO50WFL
LED, MR-16 Eco, 50 W, 60°, 2700K, 30,000 Hrs	MR16ECO50WWF

