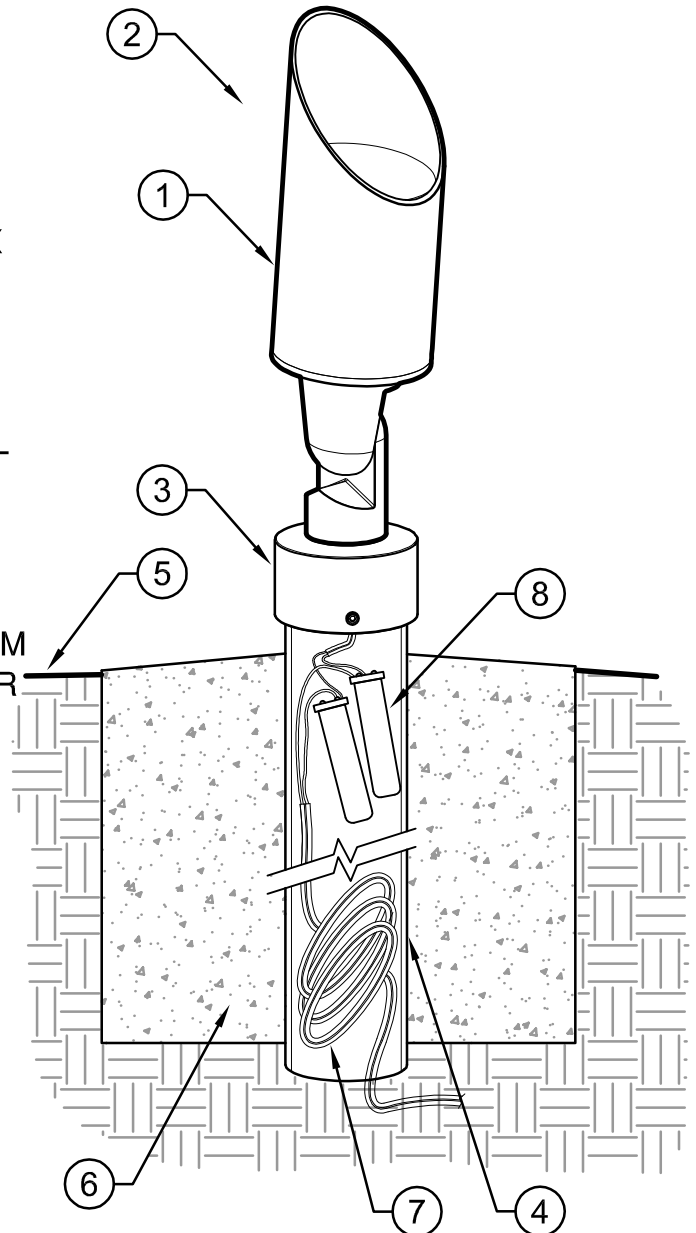


DETAIL LEGEND:

- ① FX LUMINAIRE LR FIXTURE. SEE PLAN LEGEND FOR WATTAGE, BEAM SPREAD AND ACCESSORIES.
- ② AIM FIXTURE A MINIMUM OF 10° OFF VERTICAL TO ALLOW WATER AND DIRT TO DRAIN OFF LENS CAP.
- ③ FX LUMINAIRE POST MOUNT GROUND STAKE. SEE PLAN FOR TOP COLOR. INSTALL CAP 1/4" - 1/2" [6 MM -13 MM] ABOVE FINISH GRADE
- ④ USE CUSTOM SIZE PIPE SUPPLIED BY FX LUMINAIRE
- ⑤ FINISHED GRADE.
- ⑥ CONCRETE FOOTING. DEPTH PER LOCAL CODE.
- ⑦ DIRECT BURY, UF/UL, COPPER, LOW VOLTAGE CABLE WITH WATERPROOF CONNECTION. LEAVE 18" [46 CM] MINIMUM WIRE LOOP COILED BELOW FIXTURE FOR SERVICE.

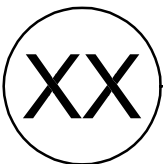
FX LUMINAIRE

1940 Diamond Street
San Marcos, CA 92078
Main: 760-744-5240
Technical Support: 760-591-7383
www.fx1.com



NOTES:

- A. INSTALLATION TO BE COMPLETED IN ACCORDANCE WITH MANUFACTURER'S SPECIFICATIONS.
- B. ACCEPTS 10-15 VOLTS - AC OR DC
- C. SEE PLAN LEGEND FOR LED BOARD OPTION, BEAM SPREADS, AND ACCESSORIES.
- D. ALWAYS REFER TO FX PRODUCT INSTALLATION NOTES PRIOR TO INSTALLATION.



LR UP LIGHT - POST MOUNT

FXLuminaire.

NOT TO SCALE