

## DETAIL LEGEND:

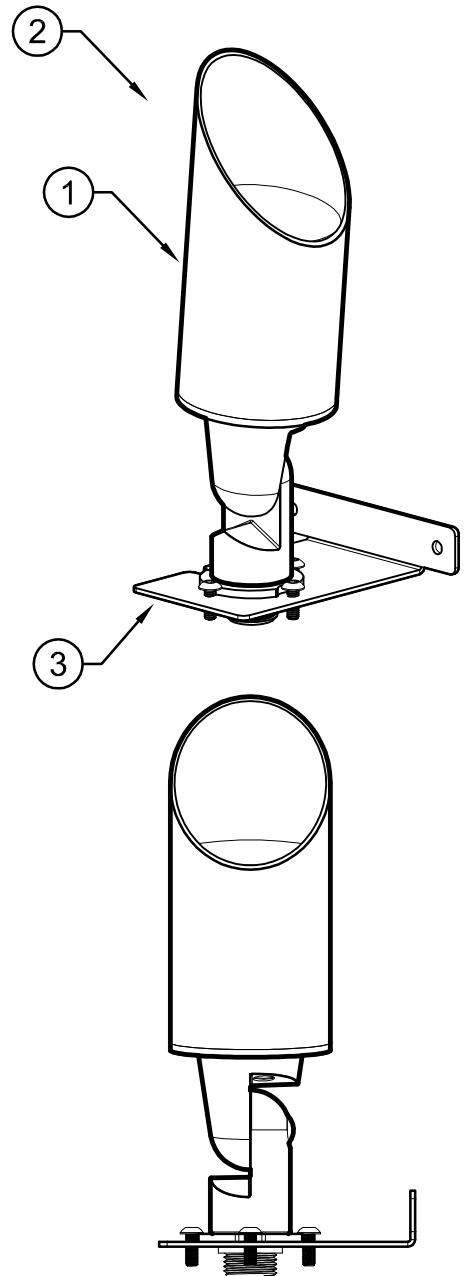
- ① FX LUMINAIRE LR FIXTURE. SEE PLAN LEGEND FOR WATTAGE, BEAM SPREAD AND ACCESSORIES.
- ② AIM FIXTURE A MINIMUM OF 10° OFF VERTICAL TO ALLOW WATER AND DIRT TO DRAIN OFF LENS CAP.
- ③ FX LUMINAIRE GUTTER MOUNT

### FX LUMINAIRE

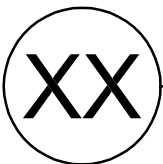
1940 Diamond Street  
San Marcos, CA 92078  
Main: 760-744-5240  
Technical Support: 760-591-7383  
www.fxI.com

## NOTES:

- A. INSTALLATION TO BE COMPLETED IN ACCORDANCE WITH MANUFACTURER'S SPECIFICATIONS.
- B. ACCEPTS 10-15 VOLTS - AC OR DC
- C. SEE PLAN LEGEND FOR LED BOARD OPTION, BEAM SPREADS, AND ACCESSORIES.
- D. ALWAYS REFER TO FX PRODUCT INSTALLATION NOTES PRIOR TO INSTALLATION.



## LR UP LIGHT GUTTER MOUNT



FXLuminaire.

NOT TO SCALE