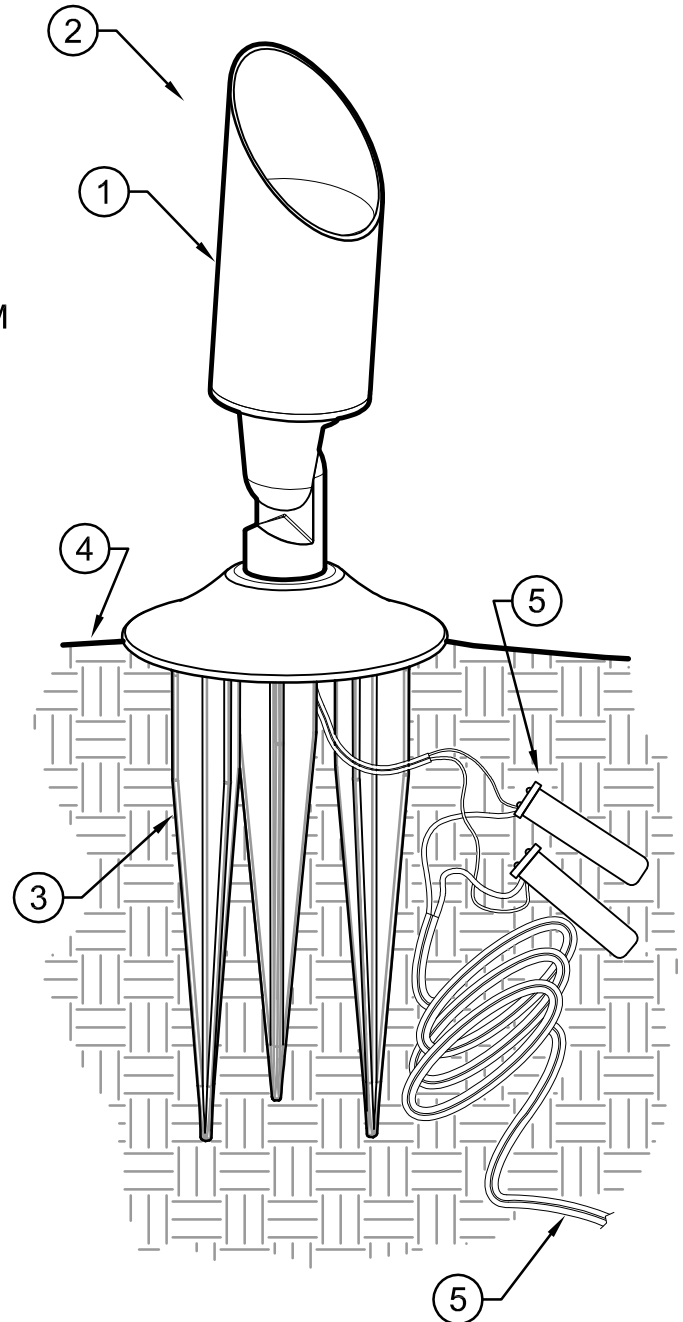


DETAIL LEGEND:

- ① FX LUMINAIRE LR FIXTURE. SEE PLAN LEGEND FOR WATTAGE, BEAM SPREAD AND ACCESSORIES.
- ② AIM FIXTURE A MINIMUM OF 10° OFF VERTICAL TO ALLOW WATER AND DIRT TO DRAIN OFF LENS CAP.
- ③ FX LUMINAIRE 3-PRONG SPIKE.
- ④ FINISHED GRADE.
- ⑤ DIRECT BURY, UF/UL, COPPER, LOW VOLTAGE CABLE WITH WATERPROOF CONNECTION. LEAVE 18" [46 CM] MINIMUM WIRE LOOP COILED BELOW FIXTURE FOR SERVICE.

FX LUMINAIRE

1940 Diamond Street
San Marcos, CA 92078
Main: 760-744-5240
Technical Support: 760-591-7383
www.fxI.com

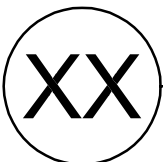


NOTES:

- A. INSTALLATION TO BE COMPLETED IN ACCORDANCE WITH MANUFACTURER'S SPECIFICATIONS.
- B. ACCEPTS 10-15 VOLTS - AC OR DC
- C. SEE PLAN LEGEND FOR LED BOARD OPTION, BEAM SPREADS, AND ACCESSORIES.
- D. ALWAYS REFER TO FX PRODUCT INSTALLATION NOTES PRIOR TO INSTALLATION.

LR UP LIGHT

3-PRONG SPIKE MOUNT



FXLuminaire.

NOT TO SCALE