

INSTALL NOTES: LE LED

We have developed this series of field installation guidelines to assist you in correctly installing fixtures and transformers, ensuring customer satisfaction and trouble-free service. If you have any questions, please call your local distributor or the FX TechLine at 800-733-2823 before proceeding. Follow all NEC guidelines and local electrical codes. For more information, visit: fxl.com

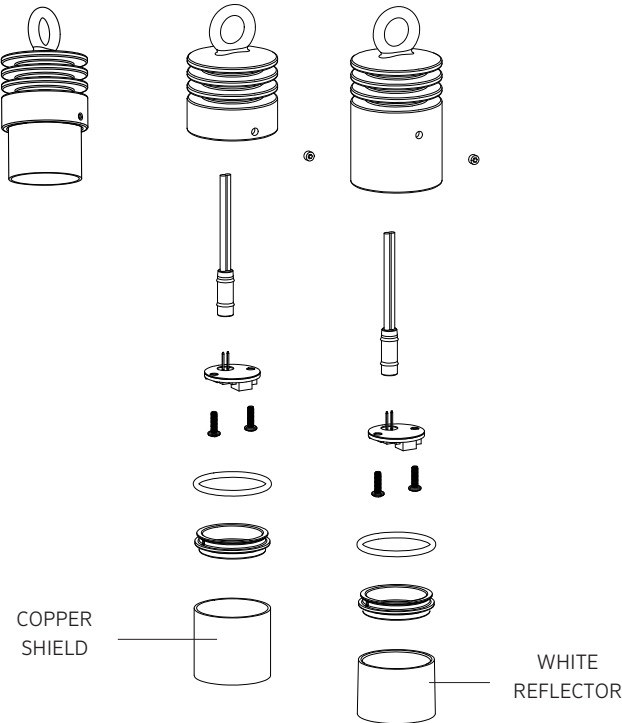
TYPICAL INSTALLATION:

INSTALLATION GUIDELINES:

DOWNLIGHT

COPPER

ALUMINUM



Securing the LE

The LE should always be faced light opening down. Use the Rize™ stainless steel cable, loop the cable around the top eyelet and secure as shown below. Do not hang from the socket wire.

Make sure that the cable assembly is securely fastened and tight. Failure to do so may cause the fixture to come loose and fall. Follow all local building codes for the haging of this type of fixture.

Copper/Brass LE

To remove filters, loosen the set screw on the outside of the brass top. Remove the copper shield. The lens can now be removed with a small screw driver by prying the side or with a suction cup tool.

Aluminum LE

To remove filters, loosen the set screw on the outside of the case. The inner white reflector will fall loose and should be removed to access the filter. The lens can now be removed with a small screw driver by prying the side or with a suction cup tool.

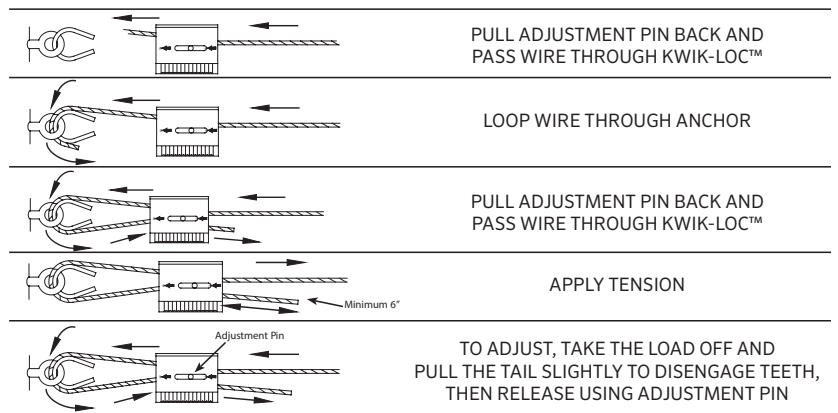
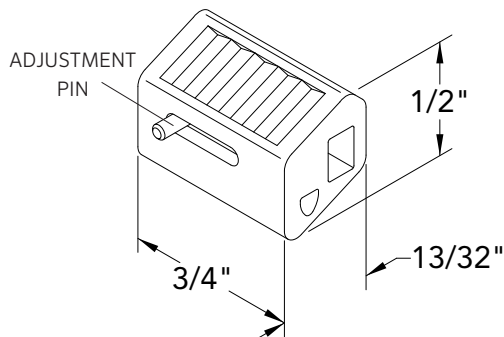
To install lenses, add the o-ring from the original lens to the new lens and reverse the uninstal process. Make sure that the lens is fully seated and the set screw is snug, nut not over tightened, which can cause binding. Failure to do so may cause water instruction.

Removal of the lens assembly will allow access to the LED board, which is secured with two screws if needing replacement.

RISK OF FIRE WARNING: DO NOT USE FX FIXTURES WITH ANY STYLE OF TRANSFORMER THAT EXCEEDS 15 VOLTS ON THE SECONDARY.

SAVE THESE INSTRUCTIONS:

Fastening Device



We have developed this series of field installation guidelines to assist you in correctly installing fixtures and transformers, ensuring customer satisfaction and trouble-free service. If you have any questions, please call your local distributor or the FX TechLine at 800-733-2823 before proceeding. Follow all NEC guidelines and local electrical codes. For more information, visit: fxl.com

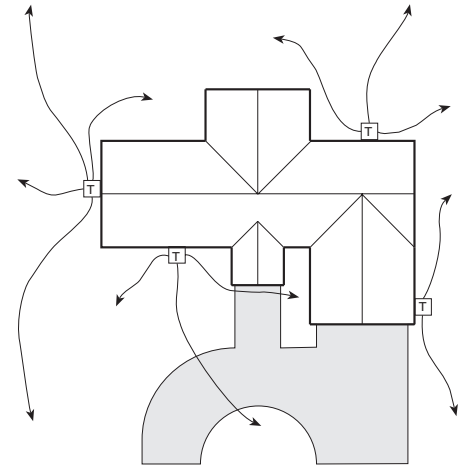
TRANSFORMERS

Single Transformer

When using only one transformer, it is very important to center the transformer on the wattage load. If the project calls for 135 watts in both front and back yard, the transformer should be centered on the side of the house that will receive the most lighting. A common mistake is to locate the single transformer on the service side of the house or in the garage, which might result in excessively long cable runs to reach lighted areas. The primary goal in laying out low voltage systems is to minimize cable runs because of voltage drop.

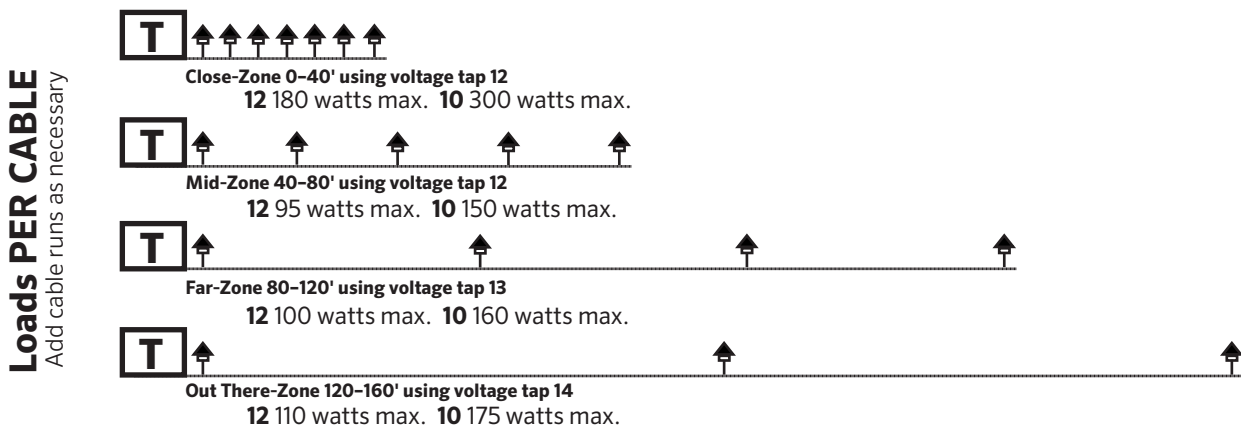
Multiple Transformers

A common mistake in laying out multiple transformer circuits is to group several transformers in one location because of utility or visual considerations only. As with any low voltage layout, the prime directive should be to locate the transformers as close to the fixtures as possible in order to minimize cable runs. The other multi-transformer layout consideration is “use zoning”. Having several transformers allows the client to selectively control light in separate areas. This approach is similar to irrigation design in that the goal is to individually control areas that have similar needs. In lighting, a recreation area has different lighting needs than does a front entry. Therefore, the lights that serve these different lighting use areas need to be on separate transformers and switch controls.



Sample diagram of home with transformer and lamp placement

CIRCUITING GUIDELINES



LED LIFE

- For maximum light output, tune lighting circuits to provide between 10 and 15 volts as measured at lamp terminals when all of the lamps on the circuit are operating.
- Voltage can be regulated by adjusting circuit load/run.
- To determine circuit voltage, use a digital voltmeter.