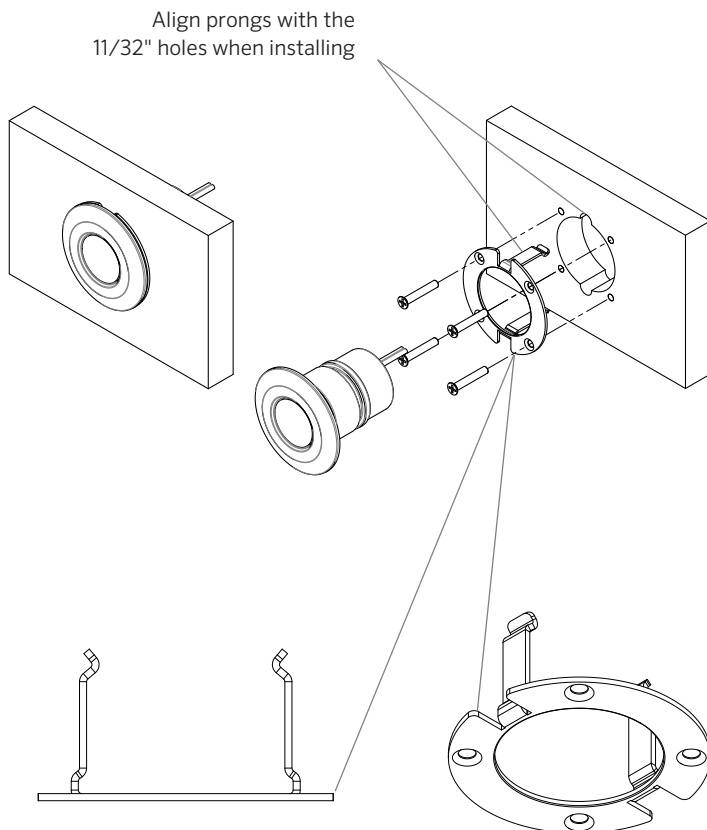
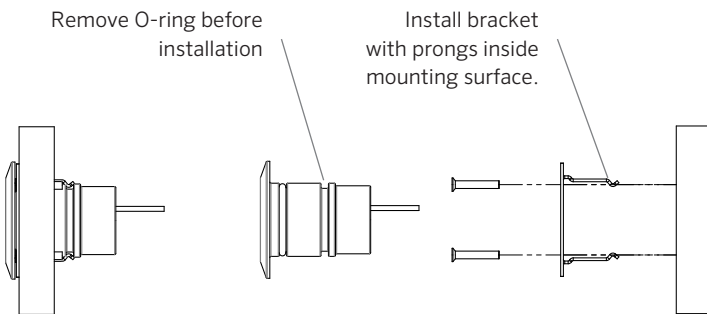


## INSTALL NOTES: PO and MO Brackets

We have developed this series of field installation guidelines to assist you in correctly installing fixtures and transformers, ensuring customer satisfaction and trouble-free service. If you have any questions, please call your local distributor or the FX TechLine at 800-733-2823 before proceeding. Follow all NEC guidelines and local electrical codes. For more information, visit: [fxl.com](http://fxl.com)

### TYPICAL INSTALLATION:



### INSTALLATION GUIDELINES:

The POBRKT and MOBRKT are to be used in conjunction with the FX PO and MO LED fixtures. All components are utilized except the conduit to mount in the vertical or horizontal position. Utilizing the POBRKT or MOBRKT requires an installation that is protected from weather. The POBRKT should not be installed in drywall or sheetrock.

Start by using the template on the back of this page. Use a 11/32" drill bit to drill pilot holes and complete by coring with a core drill (1.75" for PO and 2.25" for MO).

Install the bracket into the hole with the four-surface compatible countersunk screws with the side prongs oriented towards the two 11/32" pilot holes.

Install the faceplate with PO/MO LED module installed. Remove the outermost O-ring from the faceplate of the PO. Before installing into surface-mounted bracket, leave additional slack in wire in order to easily remove the fixture from the bracket.

**CAUTION:** The brackets and fixtures should always be checked before, during, and monthly after installation to ensure all fasteners are tight. All set screws, box covers, hardware and fixture as a whole are at risk of falling if not properly secured and may cause personal injury or damage to property, or cause a fire.

All wiring should be properly weatherproofed. This mount is intended only for low-voltage fixtures. Abide by all local building codes when installing and placing the fixture mount.

**See back page for mounting template.**

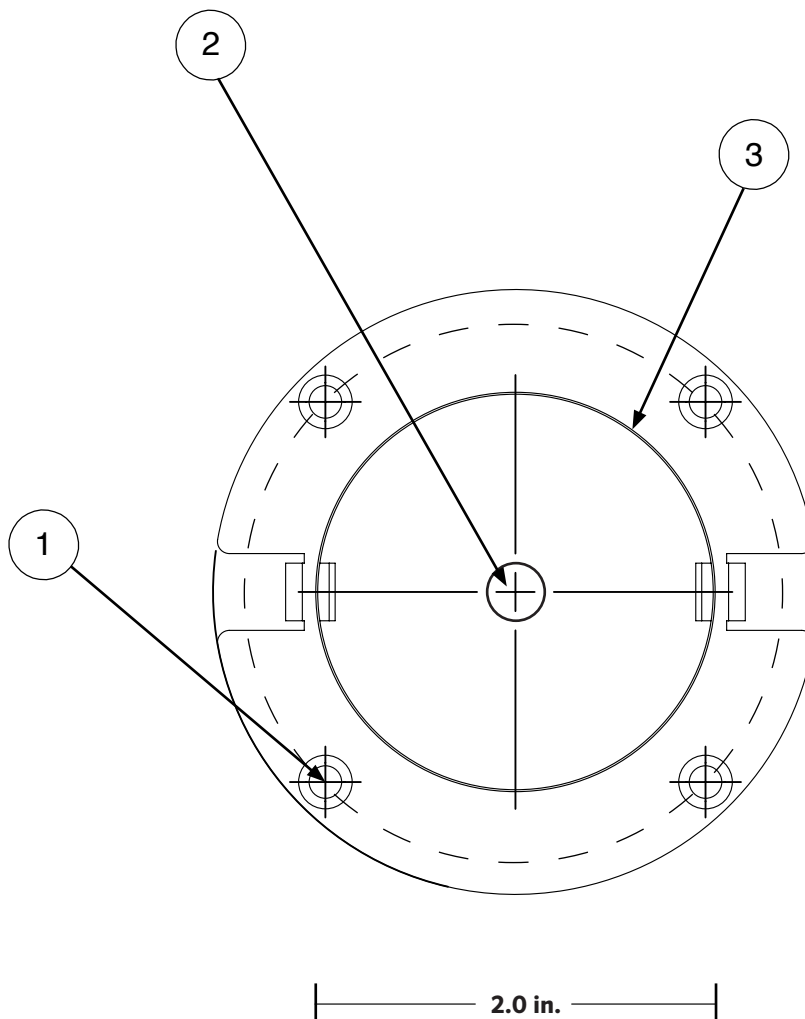
## INSTALL NOTES: **CEILING DRILL TEMPLATE**

# FXLuminaire®

### INSTALLATION GUIDELINES:

1. Drill holes (1) with 11/32" drill bit.
2. Use a hole saw to cut hole (3) using hole (2) as a center drill point.
3. Affix bracket with standoffs facing into surface using #4 X 1" screws or similar surface-compatible countersunk screws.

### MO Template



## INSTALL NOTES: **CEILING DRILL TEMPLATE**

# FXLuminaire®

### INSTALLATION GUIDELINES:

1. Drill holes (1) with 11/32" drill bit.
2. Use a hole saw to cut hole (3) using hole (2) as a center drill point.
3. Affix bracket with standoffs facing into surface using #4 X 1" screws or similar surface-compatible countersunk screws.

### PO Template

