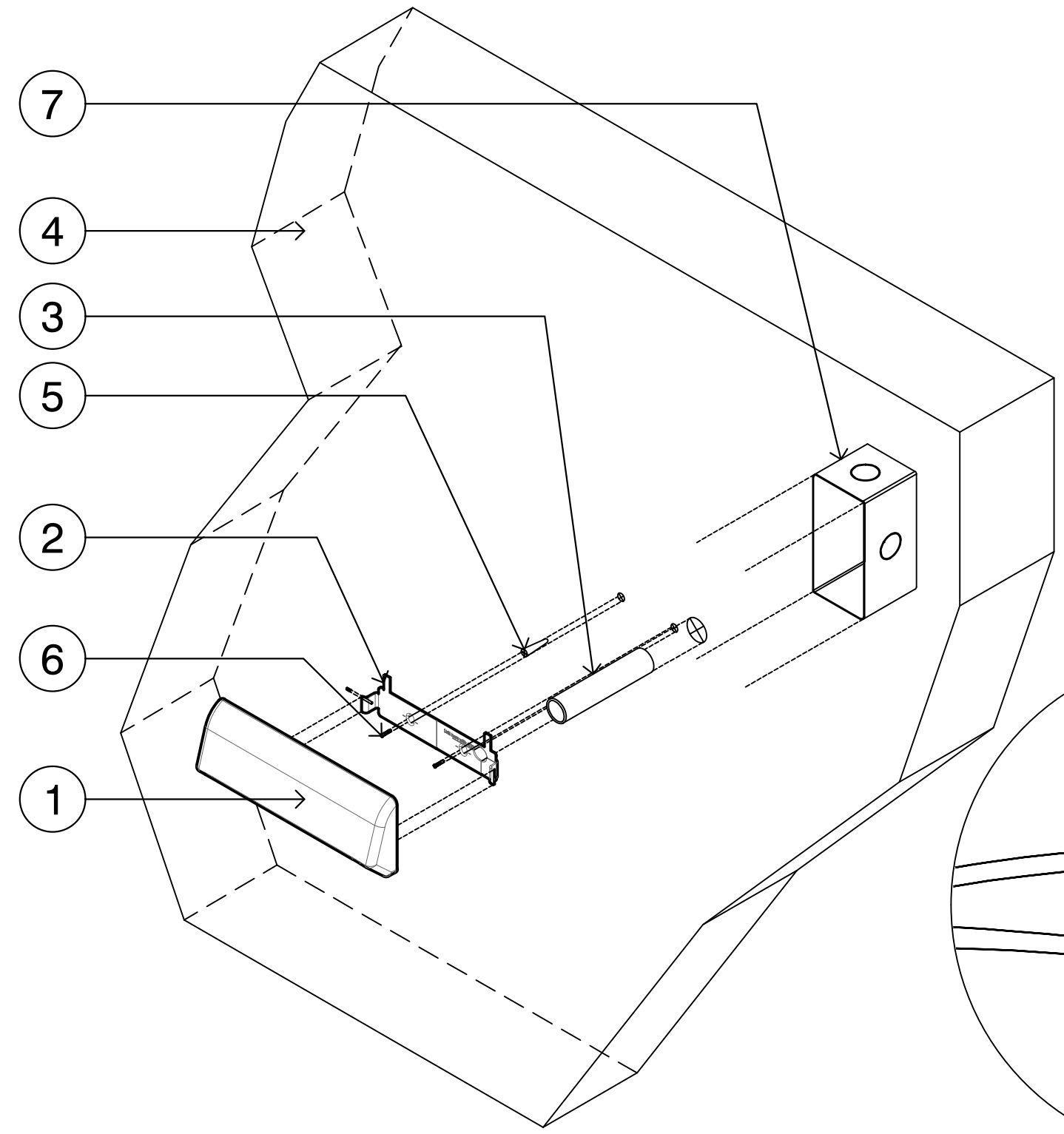


LEGEND:

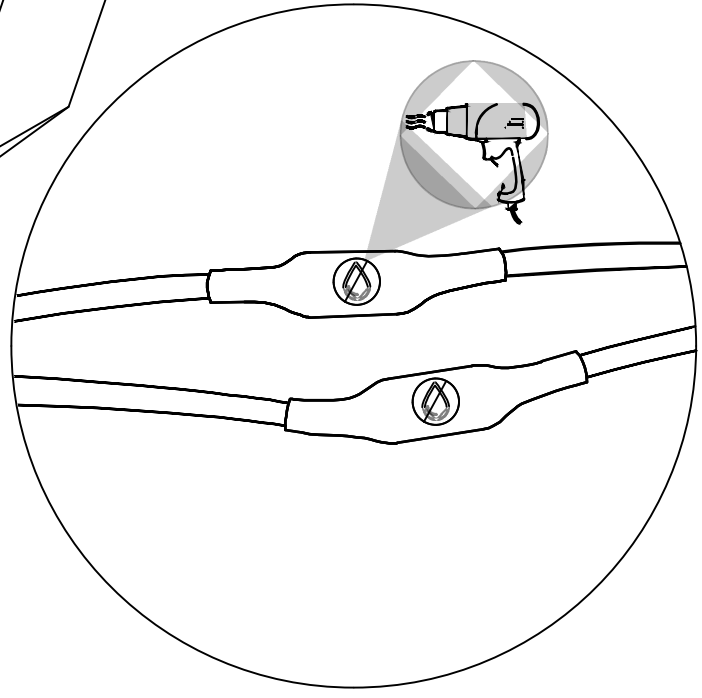
- ① FX LUMINAIRE SF SURFACE-MOUNTED WALL LIGHT
- ② MOUNTING BRACKET
- ③ $\varnothing 1"$ ($\varnothing 25\text{mm}$) SLEEVE AND 1.25" (32 MM) CORE DRILL (PROVIDED BY OTHERS)
- ④ HARDSCAPE WALL
- ⑤ POWER FEED
- ⑥ JUNCTION BOX AND CONDUIT (OPTIONAL)
- ⑦ HEAT SHRINK WIRE CONNECTION PER MANUFACTURER

NOTES:

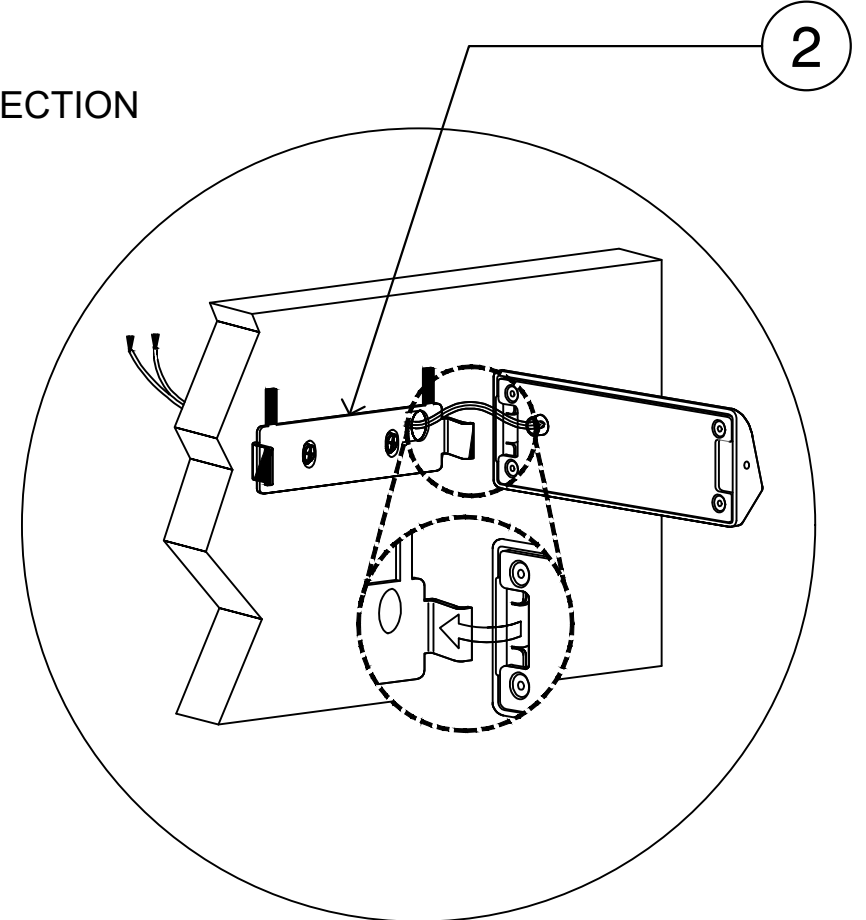
- 1. INSTALLATION TO BE COMPLETED IN ACCORDANCE WITH MANUFACTURER'S SPECIFICATIONS
- 2. FIXTURE REQUIRES 10-15 VOLTS AC/DC AND 11-15 VOLTS FOR ZDC OPTION
- 3. INSTALL TO A UL 1838 (IEC/EN 61347) LISTED TRANSFORMER



HARDSCAPE WALL



WIRING CONNECTION DETAIL



MOUNTING DETAIL