

# STANDARD | RECESSED WALL LIGHT | PD

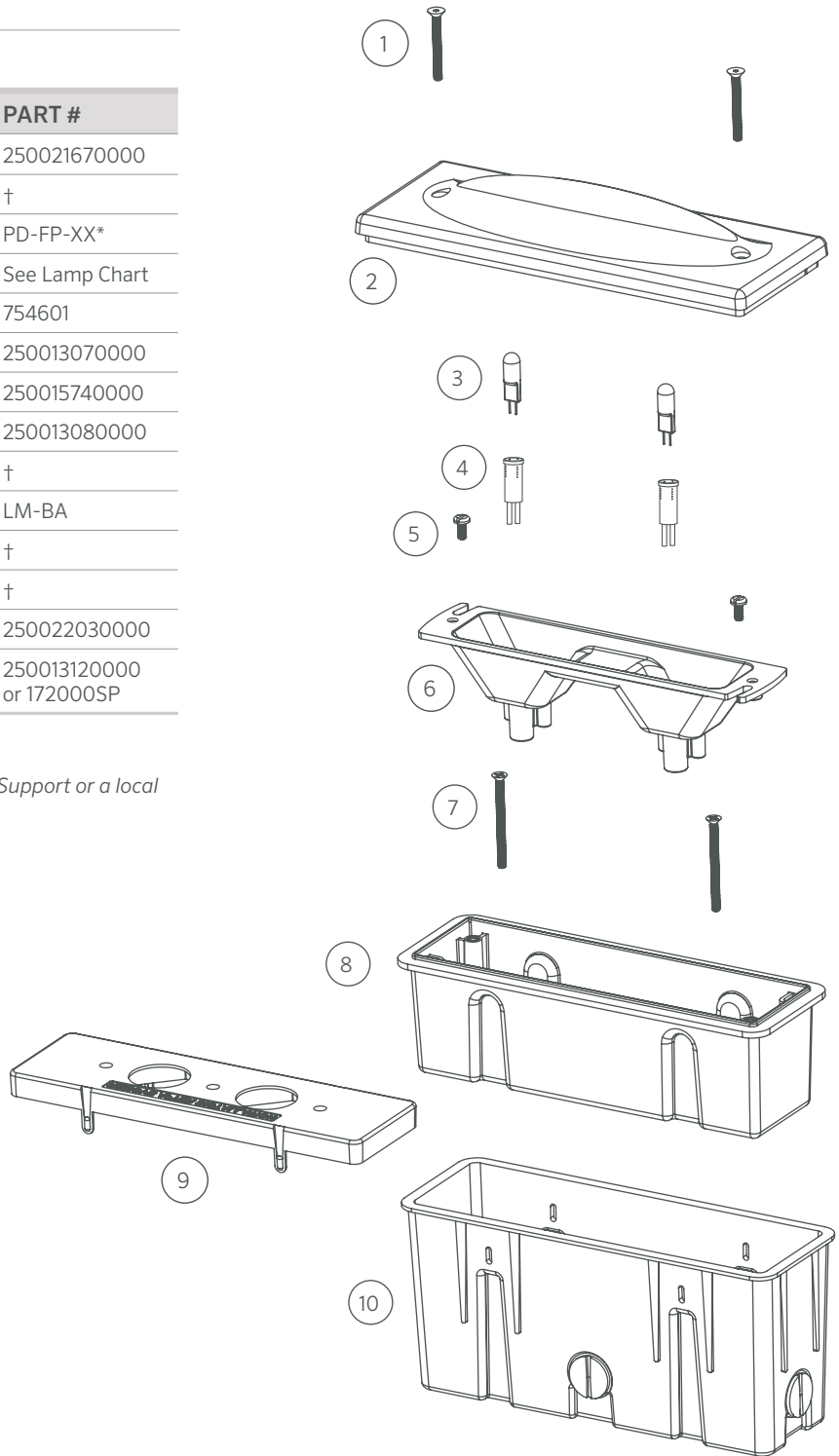
## Replacement Parts

ITEM	DESCRIPTION	PART #
1	Screw, #8-32 x 1½"	250021670000
2	Faceplate, Lens, and Gasket	†
1-2	Faceplate Assembly	PD-FP-XX*
3	Lamp, G4	See Lamp Chart
4	Socket, G4	754601
5	Screw, #8-32 x ¾"	250013070000
6	Reflector	250015740000
7	Screw, #8-32 x 2"	250013080000
8	Inner Box	†
4-8	Box Assembly	LM-BA
9	Sleeve Protector	†
10	Outer Sleeve	†
9-10	Sleeve and Protector Assembly	250022030000
NS	Hex Key, ⅜"	250013120000 or 172000SP

NS = Not shown

\*XX = Finish code

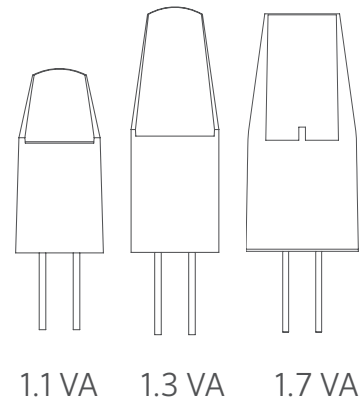
† This part is not serviceable. Contact Customer Support or a local distributor to order a replacement product.



# LAMPS | G4 LAMPS

## G4 LED Lamp Chart

LUMENS / VA	CCT	PART #
1.0 VA / 75 lm	2700K	G4-E-1-W
1.3 VA / 120 lm	2700K	G4-E-2-W
1.7 VA / 170 lm	2700K	G4-E-3-W
1.0 VA / 80 lm	3000K	G4-E-1-S
1.3 VA / 130 lm	3000K	G4-E-2-S
1.7 VA / 190 lm	3000K	G4-E-3-S



[fxl.com/G4](https://fxl.com/G4)