

STANDARD | RECESSED STEP LIGHT | CP

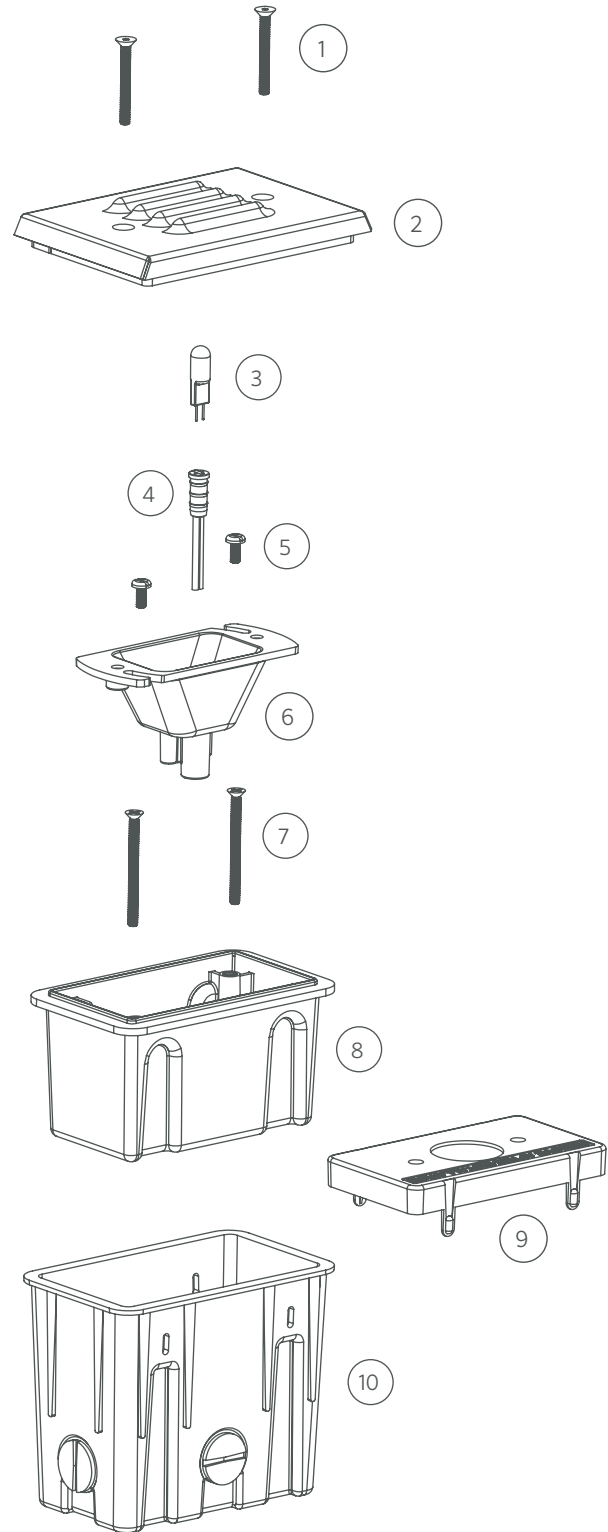
Replacement Parts

| ITEM | DESCRIPTION | PART # |
|------|-------------------------------|----------------|
| 1 | Screw, #8-32 x 1½" | 250021670000 |
| 2 | Faceplate, Lens, and Gasket | † |
| 1-2 | Faceplate Assembly | CP-FP-XX* |
| 3 | Lamp, G4 | See Lamp Chart |
| 4 | Socket, 10' (3 m) | † |
| 5 | Screw, #8-32 x ¾" | 250013070000 |
| 6 | Reflector | 250015750000 |
| 7 | Screw, #8-32 x 2" | 250013080000 |
| 8 | Inner Box | † |
| 4-8 | Box Assembly | CP-BA |
| 9 | Sleeve Protector | † |
| 10 | Preinstall Sleeve | † |
| 9-10 | Sleeve and Protector Assembly | 250022040000 |
| NS | Hex Key, ⅜" | 250013120000 |

NS = Not shown

*XX = Finish code

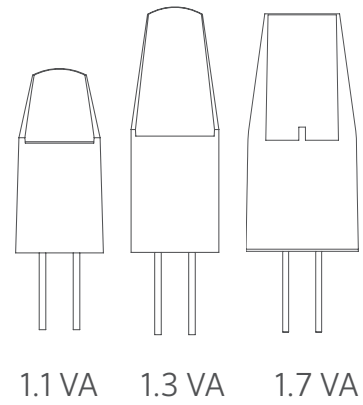
† This part is not serviceable. Contact Customer Support or a local distributor to order a new product.



LAMPS | G4 LAMPS

G4 LED Lamp Chart

| LUMENS / VA | CCT | PART # |
|-----------------|-------|----------|
| 1.0 VA / 75 lm | 2700K | G4-E-1-W |
| 1.3 VA / 120 lm | 2700K | G4-E-2-W |
| 1.7 VA / 170 lm | 2700K | G4-E-3-W |
| 1.0 VA / 80 lm | 3000K | G4-E-1-S |
| 1.3 VA / 130 lm | 3000K | G4-E-2-S |
| 1.7 VA / 190 lm | 3000K | G4-E-3-S |



fxl.com/G4