

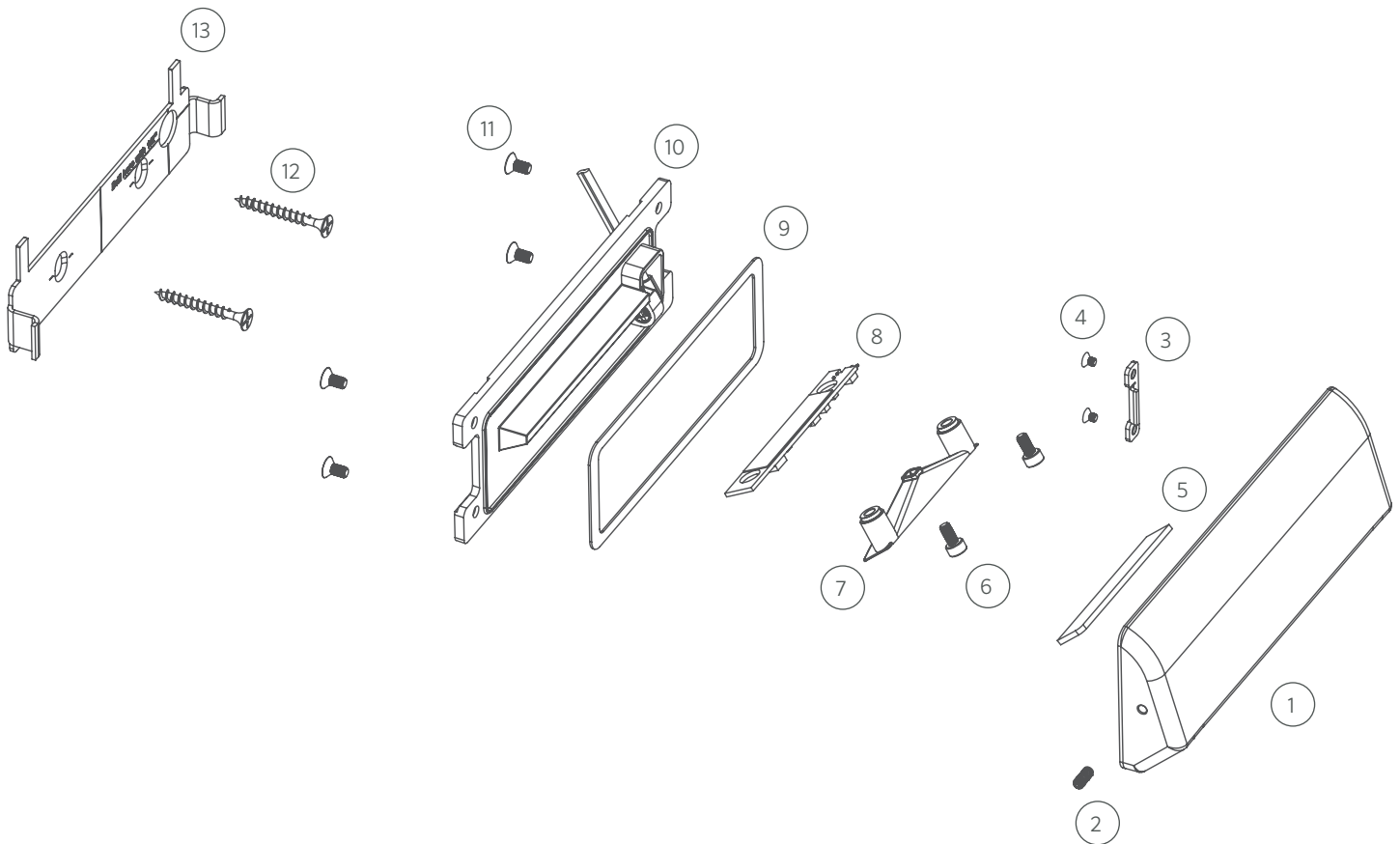
DESIGNER | SURFACE-MOUNTED WALL LIGHT | SF

Replacement Parts

ITEM	DESCRIPTION	PART #
1-5	Faceplate Assembly	SF-FP-XX*
6-7	Reflector Kit	SF-ASSY-KIT
8	LED Board	See LED Chart
9	Gasket	†
10	Body and Socket	†
11	Screw, M4 x 0.7 mm, 8 mm	250036190000SP
12	Screw, #6-18 x 1½"	250013060000
2, 12-13	Mounting Bracket	MK-SF

* XX = Finish code

† This part is not serviceable. Contact Customer Support or a local distributor to order a new product.



DESIGNER | RECTANGULAR LED BOARD REPLACEMENT

LED Chart

DESCRIPTION	PART #
1 LED, Horizontal Pin (2700K)	755903**
1 LED, Horizontal Pin (3000K)	755907**
1 LED, Horizontal Pin (3900K)	755904**
1 LED, Zoning/Dimming (2700K)	755905**
1 LED, Zoning/Dimming (3000K)	755908**
1 LED, Zoning/Dimming (3900K)	755906**
1 LED, Zoning/Dimming (TURTLE)	755909**
ZDC Linear Board, Horizontal Pins	ZDC-KIT-R**

***Includes LED board only*