

# DESIGNER | RECESSED WALL LIGHT | RH

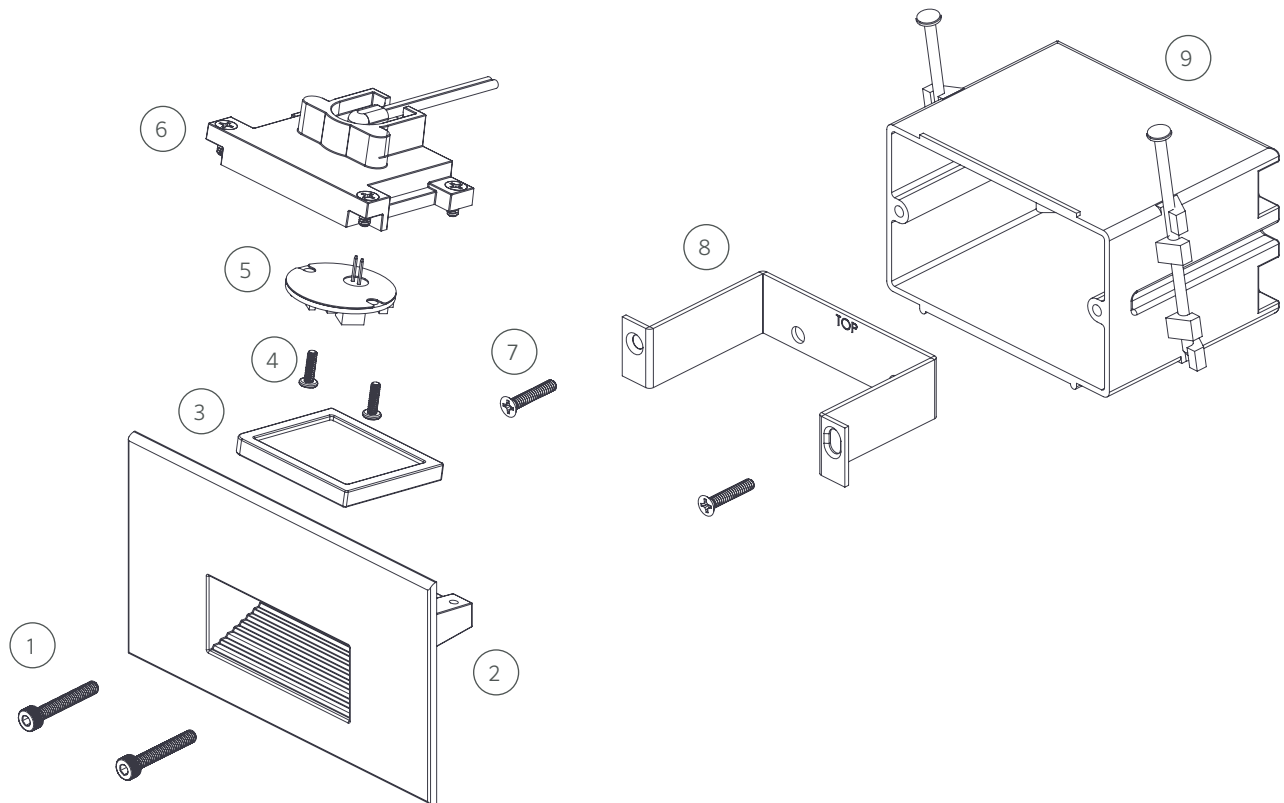
## Replacement Parts

ITEM	DESCRIPTION	PART #
1	Screw, M4 x 25 mm	250033970000SP
2	Faceplate	†
1-2	Faceplate Assembly	RHFPXX*
3	Lens Assembly	RHLA
4	Screw	See LED Chart
5	LED Board	See LED Chart
6	Housing	†
7	Screw, #6-32 x 3/4"	250030050000
8	Mounting Bracket	
7-8	Mounting Kit	MKRH
9	Single-Gang Junction Box, New Work	JB1GNWNM
NS	Hex Key, M3	250036100000

NS = Not shown

XX\* = Finish code

† This item is not serviceable. Contact Customer Support or a local distributor to order a new product.



## DESIGNER SERIES | ROUND BOARDS WITH BEAM ANGLE LENSES, 1/3 LED

### 2nd Gen LED Chart

DESCRIPTION	PART #
<b>LED Replacement Kits</b> (Board, Reflector, Screws, Beam Angle Lenses)	
1 LED Up Light Kit (2700K)	KIT1LEDRDW
3 LED Up Light Kit (2700K)	KIT3LEDRDW
ZD 1 LED Up Light Kit (2700K)	KITZD1LEDRDW
ZD 3 LED Up Light Kit (2700K)	KITZD3LEDRDW
ZDC 3 LED Kit, Medium	ZDCKITM
<b>Reflectors</b>	
1 LED Reflector	770000
3 LED Reflector	770700
ZDC 3 LED Reflector, Medium	250022050000
<b>Screws</b>	
1 LED/3 LED Screw, #4-40 x 3/8" (Qty Req: 2)	762400

### Beam Angle Lens Chart

DESCRIPTION	PART #
<b>Round Beam Angle Lenses</b>	
1 LED Spot Lens (20°)	770600
1 LED Flood Lens (35°)	1LEDFLENS
1 LED Wide Flood Lens (60°)	1LEDWFLENS
3 LED Spot Lens (20°)	771300
3 LED Flood Lens (35°)	3LEDFLENS
3 LED Wide Flood Lens (60°)	3LEDWFLENS

### 1st Gen LED Chart

DESCRIPTION	PART #
<b>LED Replacement Kits</b> (Board, Color Filters, Reflector, Screws)	
1 LED Up Light Kit (3900K)	1LEDULKIT
3 LED Up Light Kit (3900K)	3LEDULKIT
ZD 1 LED Up Light Kit (3900K)	ZD1LEDULKIT
ZD 3 LED Up Light Kit (3900K)	ZD3LEDULKIT
ZD 3 LED T Up Light Kit (TURTLE)	ZD3LEDTKIT
<b>Color Filter Lenses Only</b>	
1 LED Color Filter, Amber	770100
1 LED Color Filter, Blue	770101
1 LED Color Filter, Green	770102
3 LED Color Filter, Amber	770800
3 LED Color Filter, Blue	770801
3 LED Color Filter, Green	770802
<b>Optics Kits</b> (Color Filters, Reflector, Screws)	
1 LED Optics Kit	1LEDOPTICKIT
3 LED Optics Kit	3LEDOPTICKIT