

DESIGNER | RECESSED STEP LIGHT | PD

Replacement Parts

ITEM	DESCRIPTION	PART #
1	Screw, #8-32 x 1½"	250021670000
2	Faceplate	†
3	Screw, #8-32 x ¾"	250013070000
4	Color Filter	See LED Chart
5	Screw	†
6	LED Board	See LED Chart
7	Socket, 10' (3m)	752601
8	Reflector	250015740000
9	Screw, #8-32 x 2"	250013080000
10	Inner Box	250013380000
11	Sleeve Protector	†
12	Outer Sleeve	†
11-12	Sleeve and Protector Assembly	250022030000
3-10	LED Retrofit Kit	LM-LED-RETRO
1-2	Faceplate Assembly	PD-FP-XX*
NS	Hex Key, ¾" Long Arm	250013120000

NS = Not shown

*XX = Finish code

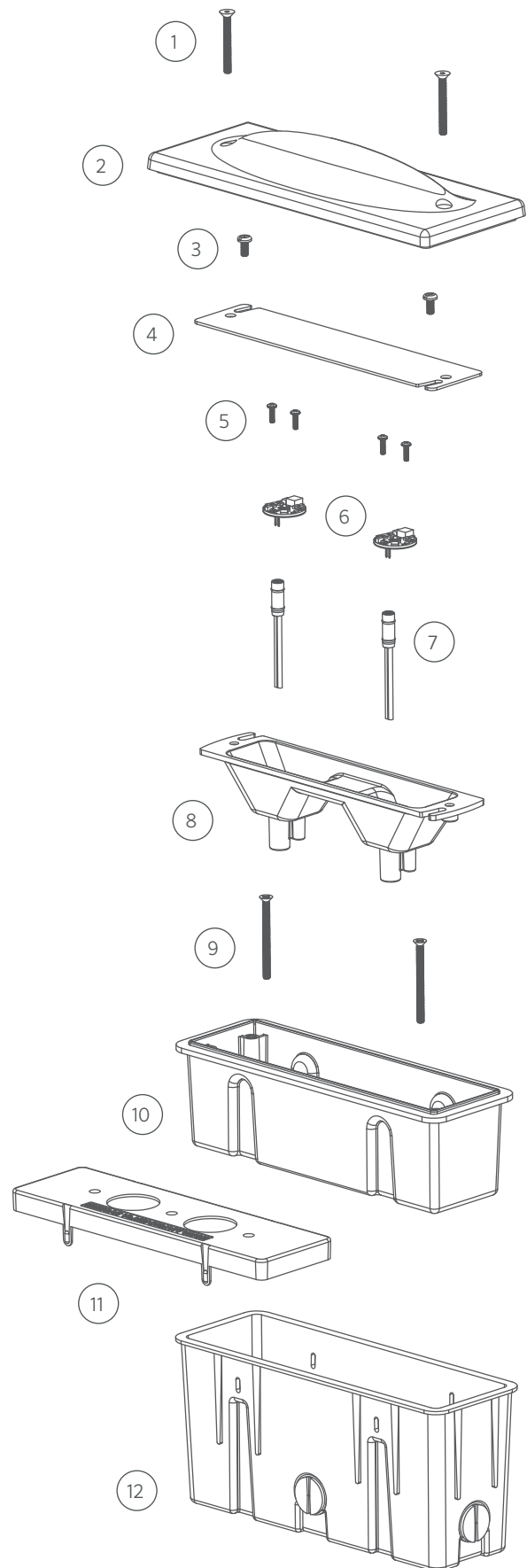
† This part is not serviceable. Contact Customer Support or a local distributor to order a new product.

Lamp Replacement

ITEM	DESCRIPTION	PART #
4	Color Filter, Amber	250015760000
4	Color Filter, Blue	250015760001
4	Color Filter, Green	250015760002
6	1 LED Board	1LED-UL-KIT [‡]

[‡]ZD = Zoneable and dimmable (add ZD to front of part number)

[§]Kits do not include PD colored filters; must order separately



DESIGNER | ROUND BOARDS WITH BEAM ANGLE LENSES, 1 LED

2nd Gen LED Chart

DESCRIPTION	PART #
LED Replacement Kits (Board, Reflector, Screws, Beam Angle Lenses)	
1 LED Up Light Kit (2700K)	KIT-1LED-RD-W
ZD 1 LED Up Light Kit (2700K)	KIT-ZD-1LED-RD-W
Reflectors	
1 LED Reflector	770000
Screws	
1 LED/3 LED Screw, #4-40 x 3/8" (Qty Req: 2)	762400

Beam Angle Lens Chart

DESCRIPTION	PART #
Round Beam Angle Lenses	
1 LED Spot Lens (20°)	770600
1 LED Flood Lens (35°)	1LED-FL-LENS
1 LED Wide Flood Lens (60°)	1LED-WFL-LENS

1st Gen LED Chart

DESCRIPTION	PART #
LED Replacement Kits (Board, Reflector, Screws, Color Filters)	
1 LED Up Light Kit (3900K)	1LED-UL-KIT
ZD 1 LED Up Light Kit (3900K)	ZD-1LED-UL-KIT
Color Filter Lenses Only	
1 LED Color Filter, Amber	770100
1 LED Color Filter, Blue	770101
1 LED Color Filter, Green	770102
Optics Kits (Reflector, Screws, Color Filters)	
1 LED Optics Kit	1LED-OPTICS-KIT