

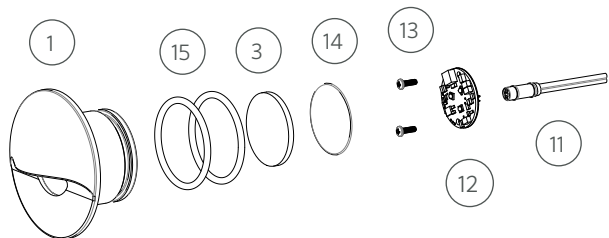
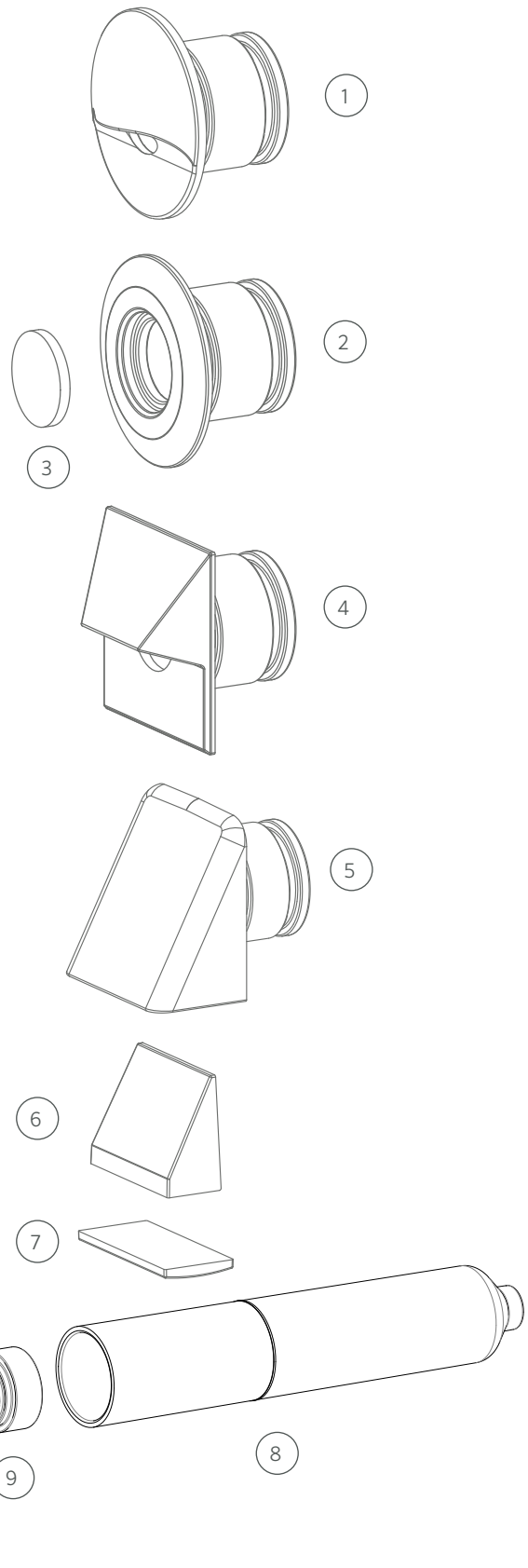
# DESIGNER | RECESSED WALL LIGHT | MO

## Replacement Parts

| ITEM     | DESCRIPTION                        | PART #        |
|----------|------------------------------------|---------------|
| 1        | Faceplate, Round (RO)              | †             |
| 2        | Faceplate, Spot (ST)               | †             |
| 3        | Lens                               | †             |
| 4        | Faceplate, Square (SQ)             | †             |
| 5        | Faceplate, Wash (WW)               | †             |
| 6        | Reflector, Wall Wash Only          | †             |
| 7        | Lens, Wall Wash Only               | †             |
| 8        | Sleeve                             | 250020600000  |
| 9        | Body                               | -             |
| 10       | O-Ring                             | 250010280016  |
| 11       | Socket, 10' (3 m)                  | 752601        |
| 12       | LED Board                          | See LED Chart |
| 13       | Screw                              | See LED Chart |
| 14       | Diffuser                           | See LED Chart |
| 15       | O-Ring                             | 250010280006  |
| 1, 3, 15 | Faceplate Assembly, Round (RO)     | MO-FP-RD-XX*  |
| 2-3, 15  | Faceplate Assembly, Spot (ST)      | MO-FP-ST-XX*  |
| 3-4, 15  | Faceplate Assembly, Square (SQ)    | MO-FP-SQ-XX*  |
| 5-7, 15  | Faceplate Assembly, Wall Wash (WW) | MO-FP-WW-XX*  |
| NS       | Mounting Bracket                   | MO-BRKT       |
| NS       | Strain Relief Kit                  | E-KIT-WALL    |

\* XX = Finish code

† This part is not serviceable. Contact Customer Support or a local distributor to order a new product.



2nd Gen LED Chart

| DESCRIPTION   | PART #           |
|---|------------------|
| <b>LED Replacement Kits</b> (Board, Reflector, Screws, Beam Angle Lenses) |                  |
| 1 LED Up Light Kit (2700K)  | KIT-1LED-RD-W    |
| 3 LED Up Light Kit (2700K)  | KIT-3LED-RD-W    |
| ZD 1 LED Up Light Kit (2700K)   | KIT-ZD-1LED-RD-W |
| ZD 3 LED Up Light Kit (2700K)   | KIT-ZD-3LED-RD-W |
| ZDC 3 LED Kit, Medium   | ZDC-KIT-M        |
| <b>Diffusers</b>  |                  |
| Diffuser  | 250035120000     |
| <b>Screws</b>   |                  |
| 1 LED/3 LED Screw, #4-40 x 3/8" (Qty Req: 2)                              | 762400           |

1st Gen LED Chart

| DESCRIPTION   | PART #         |
|---|----------------|
| <b>LED Replacement Kits</b> (Board, Color Filters, Reflector, Screws) |                |
| 1 LED Up Light Kit (3900K)  | 1LED-UL-KIT    |
| 3 LED Up Light Kit (3900K)  | 3LED-UL-KIT    |
| ZD 1 LED Up Light Kit (3900K)   | ZD-1LED-UL-KIT |
| ZD 3 LED Up Light Kit (3900K)   | ZD-3LED-UL-KIT |
| ZD 3 LED T Up Light Kit (TURTLE)                                      | ZD-3LED-T-KIT  |
| <b>Color Filter Lenses Only</b>                                       |                |
| 1 LED Color Filter, Amber   | 770100         |
| 1 LED Color Filter, Blue  | 770101         |
| 1 LED Color Filter, Green   | 770102         |
| 3 LED Color Filter, Amber   | 770800         |
| 3 LED Color Filter, Blue  | 770801         |
| 3 LED Color Filter, Green   | 770802         |