

# DESIGNER | RECESSED STEP LIGHT | LM

## Replacement Parts

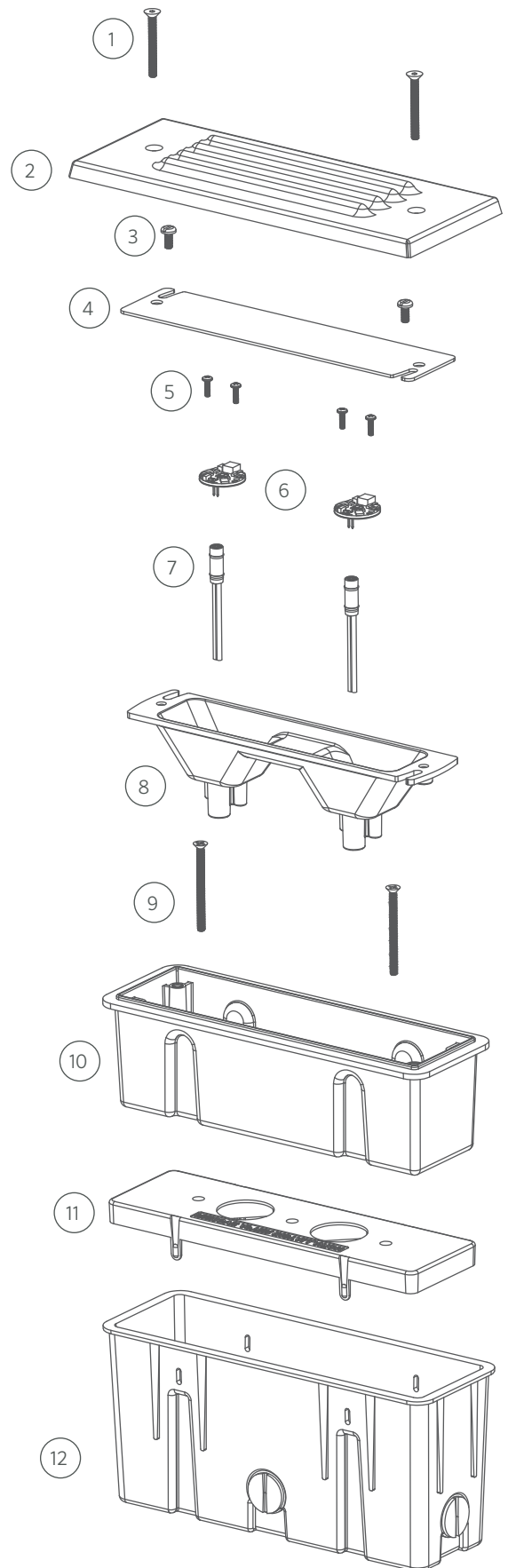
ITEM	DESCRIPTION	PART #
1	Screw, #8-32 x 1½"	250021670000
2	Faceplate, Lens, and Gasket	†
1-2	Faceplate Assembly	LM-FP-XX*
3	Screw, #8-32 x ¾"	250013070000
4	Color Filter, Amber	250015760000‡
5	Screw	See LED Chart
6	LED Board	See LED Chart
7	Socket, 10' (3 m)	†
8	Reflector	250015740000
9	Screw, #8-32 x 2"	250013080000
10	Inner Box	†
4-10	LED Retrofit Kit	LM-LED-RETRO
11	Sleeve Protector	†
12	Preinstall Sleeve	†
11-12	Sleeve and Protector Assembly	250022030000
NS	Hex Key, ⅜" Long Arm	250013120000

NS = Not shown

\* XX = Finish code

† This part is not serviceable. Contact Customer Support or a local distributor to order a new product.

‡ Available with the LM-LED-RETRO Kit



## DESIGNER | LED REPLACEMENT CHART | LM

### 2nd Gen LED Chart

DESCRIPTION	PART #
<b>LED Replacement Kits</b> (Board, Reflector, Screws, Beam Angle Lenses)	
ZD 1 LED Up Light Kit (2700K)	KIT-ZD-1LED-RD-W
<b>Diffuser</b>	
Diffuser	250035130000
<b>Screws</b>	
1 LED/3 LED Screw, #4-40 x 3/8" (Qty Req: 2)	762400

### 1st Gen LED Chart

DESCRIPTION	PART #
<b>LED Replacement Kits</b> (Board, Reflector, Screws, Color Filters)	
ZD 1 LED Up Light Kit (3900K)	ZD-1LED-UL-KIT
<b>Color Filters</b>	
Color Filter, Amber	250015900000
Color Filter, Blue	250015900001
Color Filter, Green	250015900002