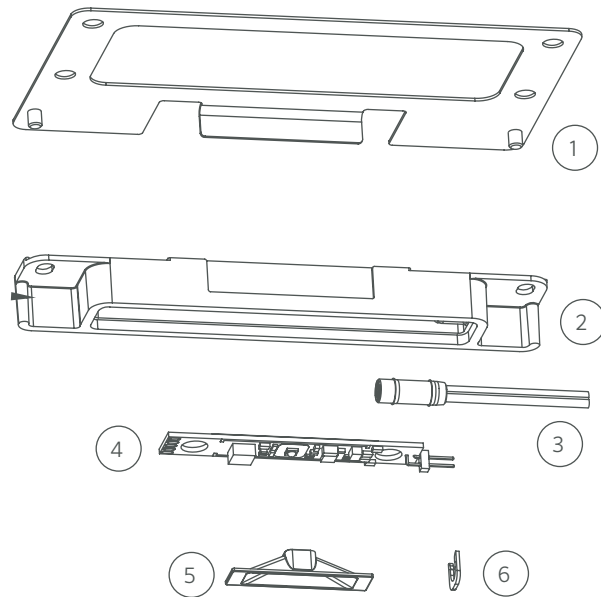


DESIGNER | WALL LIGHT | LF

Replacement Parts

ITEM	DESCRIPTION	CATALOG #
1	Mounting Plate	755300
2	Housing	-
3	Socket, 3-meter	752601
4	LED Board - Standard/ZD/ZDC	755904/755901/ ZDCKITR
5	Reflector	755700
6	Socket Clip	755800
7	O-Ring	250010280000
8	Lens - Frosted/Amber	755600/755601
9	Screw, #6-32 x 3/8"	250014810000
10	Faceplate	See Faceplate Chart
11	Acorn Nut	250014800000



Faceplate Replacement

ITEM	DESCRIPTION	CATALOG #
10	Bronze	757001
10	Desert Granite	757006
10	Sedona Brown	757007
10	Weathered Iron	757009
10	Black	757014
10	Flat White	757015
10	White Gloss	757016
10	Almond	757019
10	Silver	757021
10	Copper	756800
10	Stainless Steel	756900
10	Antique Bronze, Brass	755412
10	Antique Bronze, Copper	756812
10	Brass	755400
10	Antique Tumbled, Brass	755420
10	Antique Tumbled, Copper	756820

