

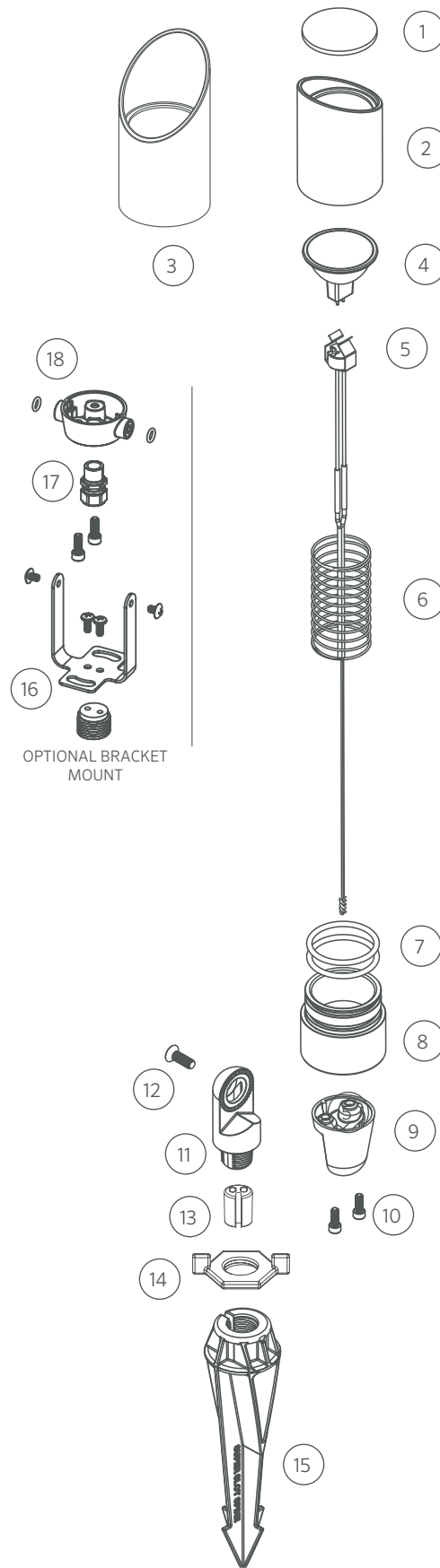
# STANDARD | UP LIGHT | MU

## Replacement Parts

ITEM	DESCRIPTION	PART #
1	Lens	†
2	Shroud	†
3	Long Shroud	†
1-2, 7	Lens Cap Assembly	MU-LC-XX*
1, 3, 7	Lens Cap Assembly, Long Shroud	MU-LC-LS-XX*
4	Lamp, MR-16	See Lamp Chart
5	Socket, 10' (3 m)	761600
6	Spring	†
7	O-Ring	250010280017
8	Body	†
9	Knuckle Base	See Knuckle Base Chart
10	Screw, #10-24 x 3/8"	250013940000
11	Knuckle Fitting	†
12	Screw, 1/4"-20 x 3/4"	250010290000
11-12	Knuckle Fitting Assembly	KFM-050-XX*
13	Critter Plug	250031010000SP
14	Lock Ring	250030410000SP
15	Super Slot Spike	753900
16	Stainless Steel Bracket	250026820000
17	Strain Relief Connector	†
18	Knuckle Base for Bracket Mount	†
16-18	Bracket Mount Assembly	BM-050-XX*

\* XX = Finish code

† This part is not serviceable. Contact Customer Support or a local distributor to order a new product.



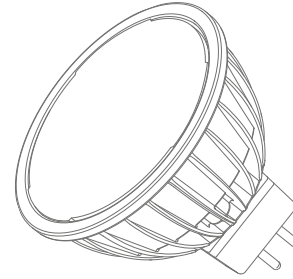
## Knuckle Base

DESCRIPTION	PART #
Knuckle Base, Bronze Metallic	252201
Knuckle Base, Desert Granite	252206
Knuckle Base, Sedona Brown	252207
Knuckle Base, Weathered Iron	252209
Knuckle Base, Black	252214
Knuckle Base, Flat White	252215
Knuckle Base, White Gloss	252216
Knuckle Base, Almond	252219
Knuckle Base, Silver	252221

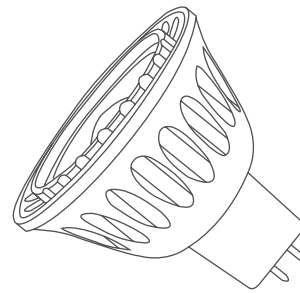
# LAMPS | MR-16 LAMPS

## MR-16 LED Lamp Chart

LUMENS / VA	CCT	BEAM ANGLE	PART #
272 lm / 4.2 VA	2700K	10° Very Narrow	MR16-LED-20-W-VN
247 lm / 4.2 VA	2700K	35° Flood	MR16-LED-20-W-FL
238 lm / 4.2 VA	2700K	60° Wide Flood	MR16-LED-20-W-WF
458 lm / 5.3 VA	2700K	10° Very Narrow	MR16-LED-35-W-VN
394 lm / 5.3 VA	2700K	35° Flood	MR16-LED-35-W-FL
310 lm / 5.3 VA	2700K	60° Wide Flood	MR16-LED-35-W-WF
447 lm / 6.5 VA	2700K	35° Flood	MR16-LED-50-W-FL
287 lm / 4.2 VA	3000K	10° Very Narrow	MR16-LED-20-S-VN
238 lm / 4.2 VA	3000K	35° Flood	MR16-LED-20-S-FL
242 lm / 4.2 VA	3000K	60° Wide Flood	MR16-LED-20-S-WF
458 lm / 5.3 VA	3000K	10° Very Narrow	MR16-LED-35-S-VN
394 lm / 5.3 VA	3000K	35° Flood	MR16-LED-35-S-FL
380 lm / 5.3 VA	3000K	60° Wide Flood	MR16-LED-35-S-WF
505 lm / 6.5 VA	3000K	35° Flood	MR16-LED-50-S-FL
287 lm / 4.2 VA	3900K	10° Very Narrow	MR16-LED-20-C-VN
288 lm / 4.2 VA	3900K	35° Flood	MR16-LED-20-C-FL
290 lm / 4.2 VA	3900K	60° Wide Flood	MR16-LED-20-C-WF
365 lm / 5.3 VA	3900K	10° Very Narrow	MR16-LED-35-C-VN
340 lm / 5.3 VA	3900K	35° Flood	MR16-LED-35-C-FL
350 lm / 5.3 VA	3900K	60° Wide Flood	MR16-LED-35-C-WF
464 lm / 6.5 VA	3900K	35° Flood	MR16-LED-50-C-FL



MR-16 LED/MR-16 ZD LED



MR-16 Eco LED

## MR-16 ZD LED Lamp Chart

LUMENS / VA	CCT	BEAM ANGLE	PART #
458 lm / 5.3 VA	2700K	10° Very Narrow	MR16-ZD-35-W-VN
394 lm / 5.3 VA	2700K	35° Flood	MR16-ZD-35-W-FL
310 lm / 5.3 VA	2700K	60° Wide Flood	MR16-ZD-35-W-WF
447 lm / 6.5 VA	2700K	35° Flood	MR16-ZD-50-W-FL
458 lm / 5.3 VA	3000K	10° Very Narrow	MR16-ZD-35-S-VN
394 lm / 5.3 VA	3000K	35° Flood	MR16-ZD-35-S-FL
380 lm / 5.3 VA	3000K	60° Wide Flood	MR16-ZD-35-S-WF
505 lm / 6.5 VA	3000K	35° Flood	MR16-ZD-50-S-FL
365 lm / 5.3 VA	3900K	10° Very Narrow	MR16-ZD-35-C-VN
340 lm / 5.3 VA	3900K	35° Flood	MR16-ZD-35-C-FL
350 lm / 5.3 VA	3900K	60° Wide Flood	MR16-ZD-35-C-WF
464 lm / 6.5 VA	3900K	35° Flood	MR16-ZD-50-C-FL

## MR-16 Eco LED Lamp Chart

LUMENS / VA	CCT	BEAM ANGLE	PART #
320 lm / 6.2 VA	2700K	35° Flood	MR16-ECO-20-W-FL
309 lm / 6.2 VA	2700K	60° Wide Flood	MR16-ECO-20-W-WF
465 lm / 9.2 VA	2700K	35° Flood	MR16-ECO-50-W-FL
430 lm / 9.2 VA	2700K	60° Wide Flood	MR16-ECO-50-W-WF



fxl.com/MR-16