

# STANDARD | UP LIGHT | LO

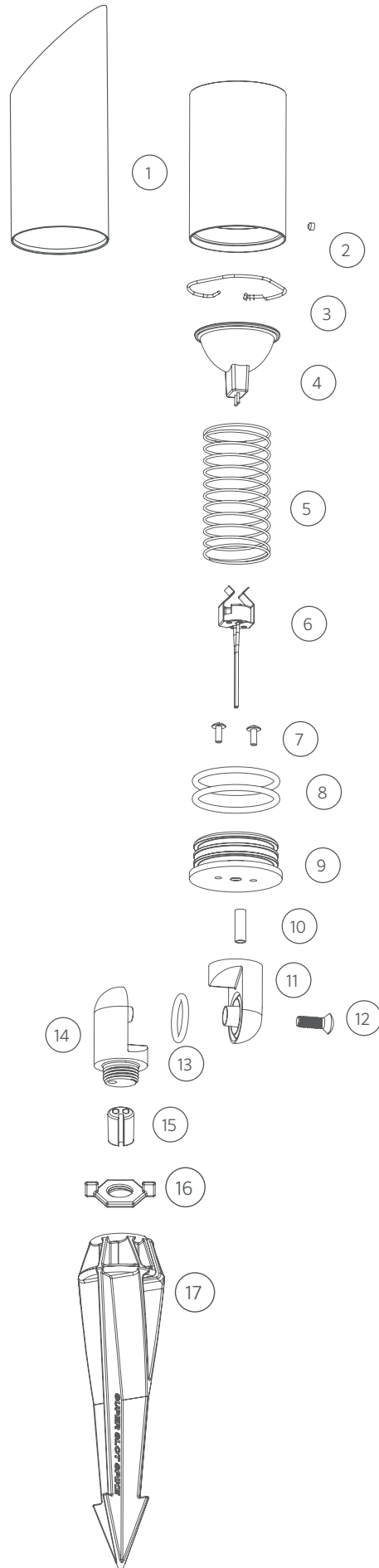
## Replacement Parts

ITEM	DESCRIPTION		PART #
1	Lens Cap Assembly,	Straight	LO-LC-XX*
		Angled	LO-LC-LS-XX*
2	Screw, #8-32 x 1/8"		250010320000
3	Spring Retaining Clip		†
4	Lamp, MR-16		See Lamp Chart
5	Spring		†
6	Socket, 10' (3 m)		761600
7	Screw, #6-32 x 1/4"		250013940000
8	O-Ring for Body		250010280017
9	Body		†
10	Tubing, 3/16"		†
11	Knuckle Base		†
12	Screw, 1/4"-20 x 3/4"		250034110000
13	O-Ring for Knuckle		250010280002
14	Knuckle, Fitting		762300
15	Critter Plug		250032650000SP
16	Lock Ring		250030410000
17	Super Slot Spike		753900
NS	Hex Key, 5/64"		250010330000SP

NS = Not shown

\* XX = Finish code

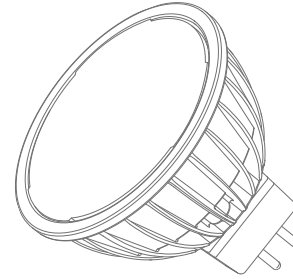
† This part is not serviceable. Contact Customer Support or a local distributor to order a new product.



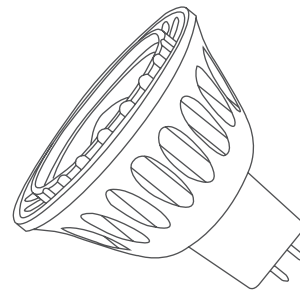
# LAMPS | MR-16 LAMPS

## MR-16 LED Lamp Chart

LUMENS / VA	CCT	BEAM ANGLE	PART #
272 lm / 4.2 VA	2700K	10° Very Narrow	MR16-LED-20-W-VN
247 lm / 4.2 VA	2700K	35° Flood	MR16-LED-20-W-FL
238 lm / 4.2 VA	2700K	60° Wide Flood	MR16-LED-20-W-WF
458 lm / 5.3 VA	2700K	10° Very Narrow	MR16-LED-35-W-VN
394 lm / 5.3 VA	2700K	35° Flood	MR16-LED-35-W-FL
310 lm / 5.3 VA	2700K	60° Wide Flood	MR16-LED-35-W-WF
447 lm / 6.5 VA	2700K	35° Flood	MR16-LED-50-W-FL
287 lm / 4.2 VA	3000K	10° Very Narrow	MR16-LED-20-S-VN
238 lm / 4.2 VA	3000K	35° Flood	MR16-LED-20-S-FL
242 lm / 4.2 VA	3000K	60° Wide Flood	MR16-LED-20-S-WF
458 lm / 5.3 VA	3000K	10° Very Narrow	MR16-LED-35-S-VN
394 lm / 5.3 VA	3000K	35° Flood	MR16-LED-35-S-FL
380 lm / 5.3 VA	3000K	60° Wide Flood	MR16-LED-35-S-WF
505 lm / 6.5 VA	3000K	35° Flood	MR16-LED-50-S-FL
287 lm / 4.2 VA	3900K	10° Very Narrow	MR16-LED-20-C-VN
288 lm / 4.2 VA	3900K	35° Flood	MR16-LED-20-C-FL
290 lm / 4.2 VA	3900K	60° Wide Flood	MR16-LED-20-C-WF
365 lm / 5.3 VA	3900K	10° Very Narrow	MR16-LED-35-C-VN
340 lm / 5.3 VA	3900K	35° Flood	MR16-LED-35-C-FL
350 lm / 5.3 VA	3900K	60° Wide Flood	MR16-LED-35-C-WF
464 lm / 6.5 VA	3900K	35° Flood	MR16-LED-50-C-FL



MR-16 LED/MR-16 ZD LED



MR-16 Eco LED

## MR-16 ZD LED Lamp Chart

LUMENS / VA	CCT	BEAM ANGLE	PART #
458 lm / 5.3 VA	2700K	10° Very Narrow	MR16-ZD-35-W-VN
394 lm / 5.3 VA	2700K	35° Flood	MR16-ZD-35-W-FL
310 lm / 5.3 VA	2700K	60° Wide Flood	MR16-ZD-35-W-WF
447 lm / 6.5 VA	2700K	35° Flood	MR16-ZD-50-W-FL
458 lm / 5.3 VA	3000K	10° Very Narrow	MR16-ZD-35-S-VN
394 lm / 5.3 VA	3000K	35° Flood	MR16-ZD-35-S-FL
380 lm / 5.3 VA	3000K	60° Wide Flood	MR16-ZD-35-S-WF
505 lm / 6.5 VA	3000K	35° Flood	MR16-ZD-50-S-FL
365 lm / 5.3 VA	3900K	10° Very Narrow	MR16-ZD-35-C-VN
340 lm / 5.3 VA	3900K	35° Flood	MR16-ZD-35-C-FL
350 lm / 5.3 VA	3900K	60° Wide Flood	MR16-ZD-35-C-WF
464 lm / 6.5 VA	3900K	35° Flood	MR16-ZD-50-C-FL

## MR-16 Eco LED Lamp Chart

LUMENS / VA	CCT	BEAM ANGLE	PART #
320 lm / 6.2 VA	2700K	35° Flood	MR16-ECO-20-W-FL
309 lm / 6.2 VA	2700K	60° Wide Flood	MR16-ECO-20-W-WF
465 lm / 9.2 VA	2700K	35° Flood	MR16-ECO-50-W-FL
430 lm / 9.2 VA	2700K	60° Wide Flood	MR16-ECO-50-W-WF



[fxl.com/MR-16](https://fxl.com/MR-16)