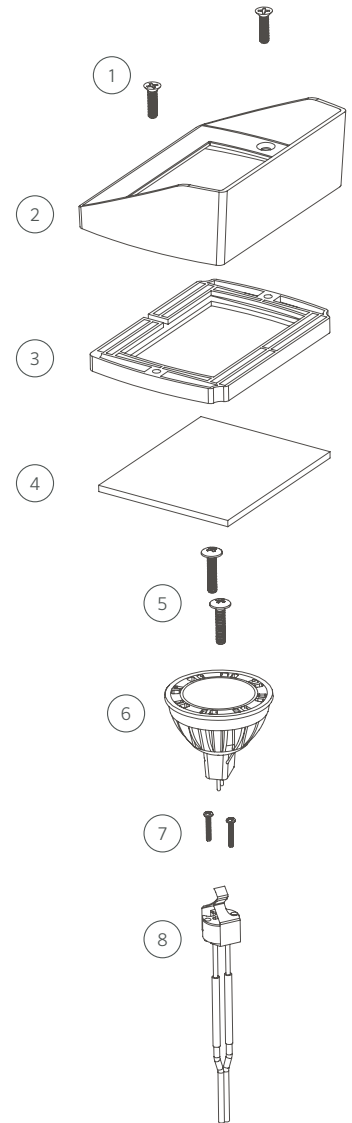


STANDARD | WALL WASH | CW-51

Replacement Parts

ITEM	DESCRIPTION	CATALOG #
1	Screws	250032560000
2	Shroud	250032090000
3	C-Gasket	250032110000
4	Lens	250032120000
1-4	Faceplate Assembly	CW-51-LF-AB
5	Screws	250014280000
6	MR-16 Lamp	See Lamp Chart
7	Screws	250014280000
8	Socket Assembly	250036850000
9	Body	CW51BDAB
10	Screw, 1/4-20 x 3/4"	250034110000
11	Knuckle Fitting	KFM-050-C-AB
12	Lock Ring	250030410000SP
13	Critter Plug	250031010000SP
14	Large Slot Spike	250015840000



MR-16 Eco Lamp Model Builder

1 LAMP	2 OUTPUT EQUIV	3 COLOR TEMP	4 BEAM ANGLE
MR-16 ECO	20 (5 W, 6.2 VA)	W (2700K)	FL (35°)
	50 (6 W, 9.2 VA)		WF (60°)

MR-16 LED Lamp Model Builder

1 LAMP	2 OUTPUT EQUIV	3 COLOR TEMP	4 BEAM ANGLE
MR-16 LED	20 (4 W, 4.2 VA)	W (2700K)	VN (10°)
	35 (5 W, 5.3 VA)	S (3000K)	FL (35°)
	50 (6 W, 6.5 VA)*	C (3900K)	WF (60°)

* = FL only

