

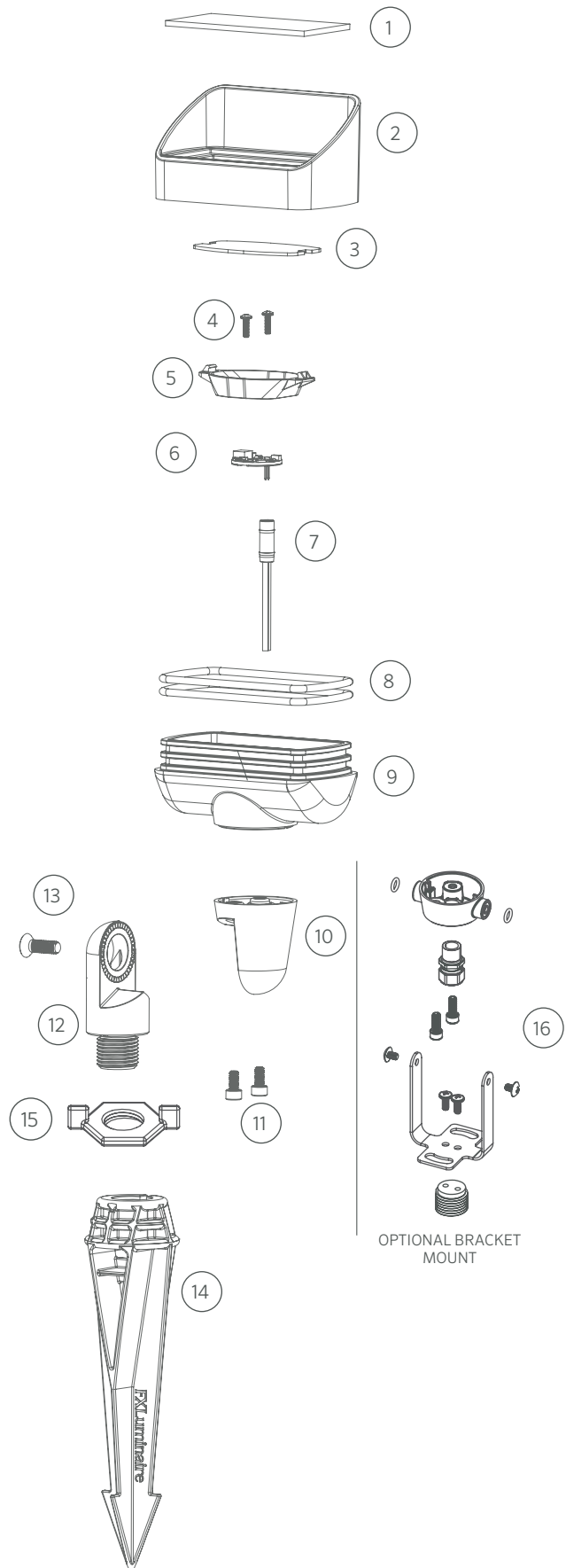
# DESIGNER | WALL WASH | PB

## Replacement Parts

ITEM	DESCRIPTION	PART #
1	Lens	†
2	Shroud	†
1-2	Lens Cap	PB-LC-XX*
3	Diffuser	See LED Chart
4	Screw	See LED Chart
5	Reflector	See LED Chart
6	LED Board	See LED Chart
7	Socket, 10' (3 m)	†
8	O-Ring	250025950000
9	Body	†
10	Knuckle Base	†
11	Screw, #10-24 x 3/8"	250013940000
12	Knuckle	†
	Stainless Steel	250010290000
	Brass	250010630000
13	Screw, 1/4"-20 x 3/4"	250010630012
	Antique Bronze	250010630012
	Antique Tumbled	250010630020
12-13	Knuckle Subassembly	KFM-050-XX*
14	Super Slot Spike	753900
15	Lock Ring	250030410000SP
16	Bracket Mount Assembly	BM-050-XX*

\*XX = Finish code

† This part is not serviceable. Contact Customer Support or a local distributor to order a new product.



2nd Gen LED Chart

DESCRIPTION	PART #
<b>LED Replacement Kits</b> (Board, Reflector, Screws, Beam Angle Lenses)	
1 LED Up Light Kit (2700K)	KIT-1LED-RD-W
3 LED Up Light Kit (2700K)	KIT-3LED-RD-W
ZD 1 LED Up Light Kit (2700K)	KIT-ZD-1LED-RD-W
ZD 3 LED Up Light Kit (2700K)	KIT-ZD-3LED-RD-W
ZDC 3 LED Kit, Medium, PB	ZDC-KIT-M
<b>Reflectors</b>	
1 LED Reflector, White, PB/LC	763000
3 LED Reflector, White, PB/LC	763100
<b>Diffusers</b>	
1/3 LED Diffuser Lens, PB/LC	250034830000SP
<b>Screws</b>	
1 LED/3 LED Screw, #4-40 x 3/8" (Qty Req: 2)	762400

1st Gen LED Chart

DESCRIPTION	PART #
<b>LED Replacement Kits</b> (Board, Color Filters, Reflector, Screws)	
1 LED Up Light Kit (3900K)	1LED-UL-KIT
3 LED Up Light Kit (3900K)	3LED-UL-KIT
ZD 1 LED Up Light Kit (3900K)	ZD-1LED-UL-KIT
ZD 3 LED Up Light Kit (3900K)	ZD-3LED-UL-KIT
ZD 3 LED T Up Light Kit (TURTLE)	ZD-3LED-T-KIT
<b>For Rectangular Lenses and Optics</b>	
<b>Reflectors</b>	
1 LED Reflector, White, PB/LC	763000
3 LED Reflector, White, PB/LC	763100
<b>Diffusers</b>	
1/3 LED Diffuser Lens, PB/LC	250037260000
<b>For Round Lenses and Filters</b>	
<b>Reflectors</b>	
ZDC 3 LED Reflector, Medium	250022050000
<b>Diffusers</b>	
ZDC 3 LED Diffuser, Medium	3LED-WF-LENS
<b>Color Filters</b>	
1 LED/3 LED Color Filter, Amber	763200
1 LED/3 LED Color Filter, Blue	763201
1 LED/3 LED Color Filter, Green	763202
<b>Screws</b>	
1 LED/3 LED Screw, #4-40 x 3/8" (Qty Req: 2)	762400