

DESIGNER | DIRECTIONAL UP LIGHT | NP

Replacement Parts

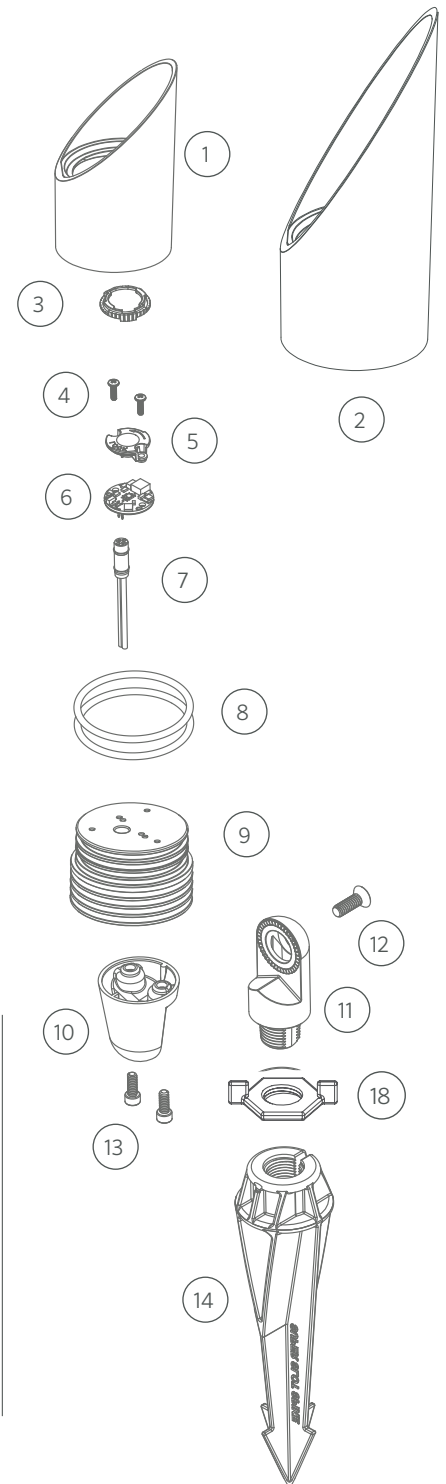
ITEM	DESCRIPTION	PART #
1	Lens Cap Assembly	Clear NP-LC-XX* ⁵
		Frosted NP-LF-XX*
2	Lens Cap Assembly, Long Shroud	Clear NP-LC-LS-XX* ⁵
		Frosted NP-LF-LS-XX*
3	Beam Angle Lens	See LED Chart
4	Screw	See LED Chart
5	Reflector	See LED Chart
6	LED Board	See LED Chart
7	Socket, 10' (3 m)	752601
8	O-Ring	250010280025
9	Body	†
10	Knuckle Base	See Knuckle Base Chart
11	Knuckle Subassembly	KFM-050-XX*
12	Screw, ¼"-20 x ¾"	250010290000
13	Screw, #10-24 x ¾"	250013940000
14	Super Slot Spike	753900
15	Stainless Steel Bracket	250026820000
16	Strain Relief Connector	250026840000
17	Bracket Mount Knuckle Base	†
15-17	Bracket Mount Assembly	BM-050-XX*
18	Lock Ring	250030410000SP

*XX = Finish code

†This part is not serviceable. Contact Customer Support or a local distributor to order a complete product.

Knuckle Base Parts

ITEM	DESCRIPTION	PART #
10	Knuckle Base, Bronze Metallic	252201
	Knuckle Base, Desert Granite	252206
	Knuckle Base, Sedona Brown	252207
	Knuckle Base, Weathered Iron	252209
	Knuckle Base, Black	252214
	Knuckle Base, Flat White	252215
	Knuckle Base, White Gloss	252216
	Knuckle Base, Almond	252219
	Knuckle Base, Silver	252221



OPTIONAL BRACKET MOUNT

DESIGNER | ROUND BOARDS WITH BEAM ANGLE LENSES, 1/3/6/9 LED

2nd Gen LED Chart

DESCRIPTION	PART #
LED Replacement Kits (Board, Reflector, Screws, Beam Angle Lenses)	
1 LED Up Light Kit (2700K)	KIT-1LED-RD-W
3 LED Up Light Kit (2700K)	KIT-3LED-RD-W
6 LED Up Light Kit (2700K)	KIT-6LED-RD-W
9 LED Up Light Kit (2700K)	KIT-9LED-RD-W
ZD 1 LED Up Light Kit (2700K)	KIT-ZD-1LED-RD-W
ZD 3 LED Up Light Kit (2700K)	KIT-ZD-3LED-RD-W
ZD 6 LED Up Light Kit (2700K)	KIT-ZD-6LED-RD-W
ZD 9 LED Up Light Kit (2700K)	KIT-ZD-9LED-RD-W
ZDC 3 LED Kit, Medium	ZDC-KIT-M
ZDC 3 LED Kit, Large	ZDC-KIT-L
Reflectors	
1 LED Reflector	770000
3 LED Reflector	770700
6 LED/9 LED Reflector	771400
ZDC 3 LED Reflector, Medium	250022050000
ZDC 3 LED Reflector, Large	250020690000
Screws	
1 LED/3 LED Screw, #4-40 x 3/16" (Qty Req: 2)	762400
6 LED/9 LED Screw, #4-40 x 7/16" (Qty Req: 3)	250014550000

Beam Angle Lens Chart

DESCRIPTION	PART #
Round Beam Angle Lenses	
1 LED Spot Lens (20°)	770600
1 LED Flood Lens (35°)	1LED-FL-LENS
1 LED Wide Flood Lens (60°)	1LED-WFL-LENS
3 LED Spot Lens (20°)	771300
3 LED Flood Lens (35°)	3LED-FL-LENS
3 LED Wide Flood Lens (60°)	3LED-WFL-LENS
6 LED/9 LED Spot Lens (20°)	771600
6 LED/9 LED Flood Lens (35°)	9LED-FL-LENS
6 LED/9 LED Wide Flood Lens (60°)	9LED-WFL-LENS

1st Gen LED Chart

DESCRIPTION	PART #
LED Replacement Kits (Board, Reflector, Screws, Color Filters)	
1 LED Up Light Kit (3900K)	1LED-UL-KIT
3 LED Up Light Kit (3900K)	3LED-UL-KIT
6 LED Up Light Kit (3900K)	6LED-UL-KIT
9 LED Up Light Kit (3900K)	9LED-UL-KIT
ZD 1 LED Up Light Kit (3900K)	ZD-1LED-UL-KIT
ZD 3 LED Up Light Kit (3900K)	ZD-3LED-UL-KIT
ZD 3 LED T Up Light Kit (TURTLE)	ZD-3LED-T-KIT
ZD 6 LED Up Light Kit (3900K)	ZD-6LED-UL-KIT
ZD 9 LED Up Light Kit (3900K)	ZD-9LED-UL-KIT
Color Filter Lenses Only	
1 LED Color Filter, Amber	770100
1 LED Color Filter, Blue	770101
1 LED Color Filter, Green	770102
3 LED Color Filter, Amber	770800
3 LED Color Filter, Blue	770801
3 LED Color Filter, Green	770802
6 LED/9 LED Color Filter, Amber	771500
6 LED/9 LED Color Filter, Blue	771501
6 LED/9 LED Color Filter, Green	771502
Optics Kits (Reflector, Screws, Color Filters)	
1 LED Optics Kit	1LED-OPTICS-KIT
3 LED Optics Kit	3LED-OPTICS-KIT
6 LED/9 LED Optics Kit	9LED-OPTICS-KIT