

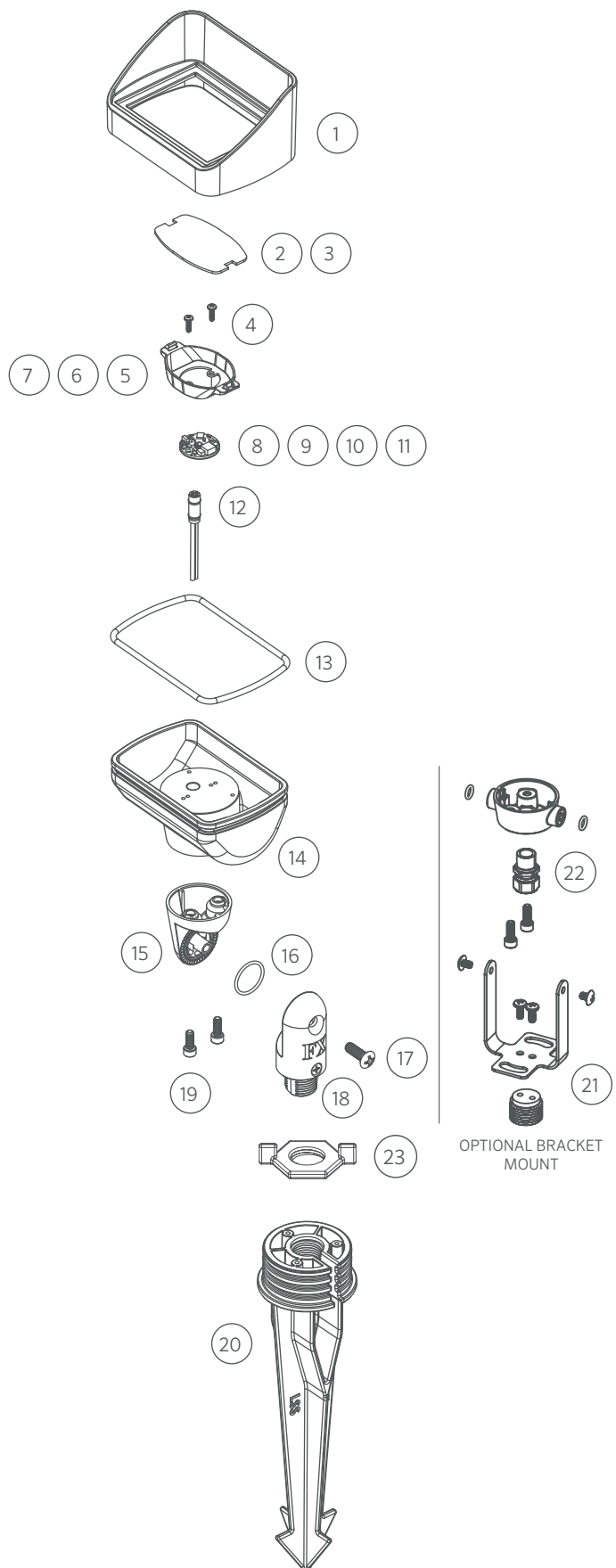
DESIGNER | UP LIGHT | LC

Replacement Parts

ITEM	DESCRIPTION	CATALOG #
1	Lens Cap	LCLCXX*
2-3	Color Filter	See LED Chart
4	Screw	See LED Chart
5-7	Reflector	See LED Chart
8-11	LED Board	See LED Chart
12	Socket, 3-meter	752601
13	O-Ring	250028620000
14	Body	†
15	Base	†
16	O-Ring	250010280002
17	Screw, ¼"-20 x ¾"	250010290000
18	Subassembly	KFM050XX*
19	Screw, #10-24 x ¾"	250013940000
20	Long Slot Spike (LSS)	250015840000
21	Stainless Steel Bracket	250026820000
22	Strain Relief Connector	250026840000
23	Lock Ring	250030410000

*XX = Finish code

†This part is not serviceable. Contact Customer Support or a local distributor to order a new product.



‡ ZD = Zoneable and dimmable (add ZD to front of part number)

** Kits do not include PB/LC reflectors and colored filters; must order separately

† ZDC kit includes LED board, ZDC reflector, screws, and flood lens (9LEDFLLENS)

LED Chart

ITEM	DESCRIPTION	CATALOG #
2	1LED/3LED Color Filter, Amber	763200
2	1LED/3LED Color Filter, Blue	763201
2	1LED/3LED Color Filter, Green	763202
3	6LED/9LED Color Filter, Amber	250016560000
3	6LED/9LED Color Filter, Blue	250016560001
3	6LED/9LED Color Filter, Green	250016560002
4	1LED/3LED Screw, #4-40 x 3/8" (Qty: 2)	762400
4	6LED/9LED Screw, #4-40 x 7/16" (Qty: 3)	250014550000
5	1LED Reflector	763000
6	3LED Reflector	763100
6	ZDC LED Reflector	250020690000
7	6LED/9LED Reflector	250016450000
8	1LED Board	1LEDULKIT ^{***}
9	3LED Board	3LEDULKIT ^{***}
10	6LED Board	6LEDULKIT ^{***}
11	9LED Board	9LEDULKIT ^{***}
11	ZDC LED Board	ZDCKITL [†]