

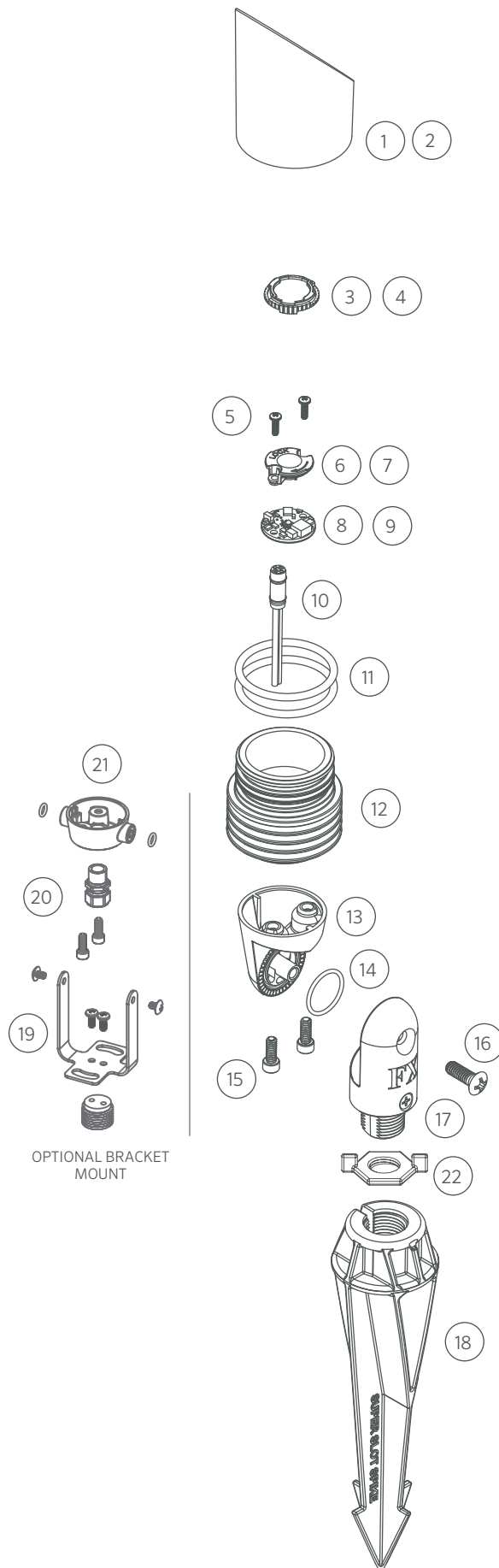
Replacement Parts

ITEM	DESCRIPTION	CATALOG #
1-2	Lens Cap Assembly, Clear	FBLCXX**
3-4	Beam Angle Lens	See LED Chart
5	Screw, #4-40 x 3/8"	See LED Chart
6-7	Reflector	See LED Chart
8-9	LED Board	See LED Chart
10	Socket, 3-meter	752601
11	O-Ring	250010280017
12	Body	†
13	Base	†
14	O-Ring	250010280002
15	Screw, #10-24 x 3/8"	250013940000
16	Screw, 1/4"-20 x 3/4"	250010290000
17	Knuckle Subassembly	KFM050XX*
18	Super Slot Spike	753900
19	Stainless Steel Bracket	250026820000
20	Strain Relief Connector	250026840000
21	Bracket Mount Knuckle Base	-
19-21	Bracket Mount Assembly	BM050XX*
22	Lock Ring (Order in Qty 25)	250030410000SP

*XX = Finish code

†Replace "C" with "F" for frosted lens option

‡This part is not serviceable. Contact Customer Support or a local distributor to order a complete product.



LED Chart

ITEM	DESCRIPTION	CATALOG #
3	1 LED Spot Lens (20°)	770600
3	1 LED Flood Lens (35°)	1LEDFLENS
3	1 LED Wide Flood Lens (60°)	1LEDWFLENS
4	3 LED Spot Lens (20°)	771300
4	3 LED Flood Lens (35°)	3LEDFLENS
4	3 LED Wide Flood Lens (60°)	3LEDWFLENS
5	1 LED/3 LED Screw, #4-40 x 3/8" (Qty Req: 2)	762400
6	1 LED Reflector	770000
7	3 LED Reflector	770700
7	ZDC Reflector	250022050000
8	1 LED Board, 2nd Gen [§]	KIT1LEDRDW [‡]
9	3 LED Board, 2nd Gen [§]	KIT3LEDRDW [‡]
9	ZDC LED Board	ZDCKITM ^{**}

[‡]ZD = Zoneable and dimmable (add ZD to front of part number)

^{**}ZDC Kit includes LED board, reflector (#9), screws (#7), and flood lens diffuser (3LEDWFLENS)

[§]For manufacturing date codes after 2/1/2022

1st Generation LED Chart

ITEM	DESCRIPTION	CATALOG #
	1 LED Board	1LEDULKIT [‡]
	3 LED Board	3LEDULKIT [‡]
	1 LED Color Filter, Amber	770100
	1 LED Color Filter, Blue	770101
	1 LED Color Filter, Green	770102
	3 LED Color Filter, Amber	770800
	3 LED Color Filter, Blue	770801
	3 LED Color Filter, Green	770802