

STANDARD | PATH LIGHT | TM

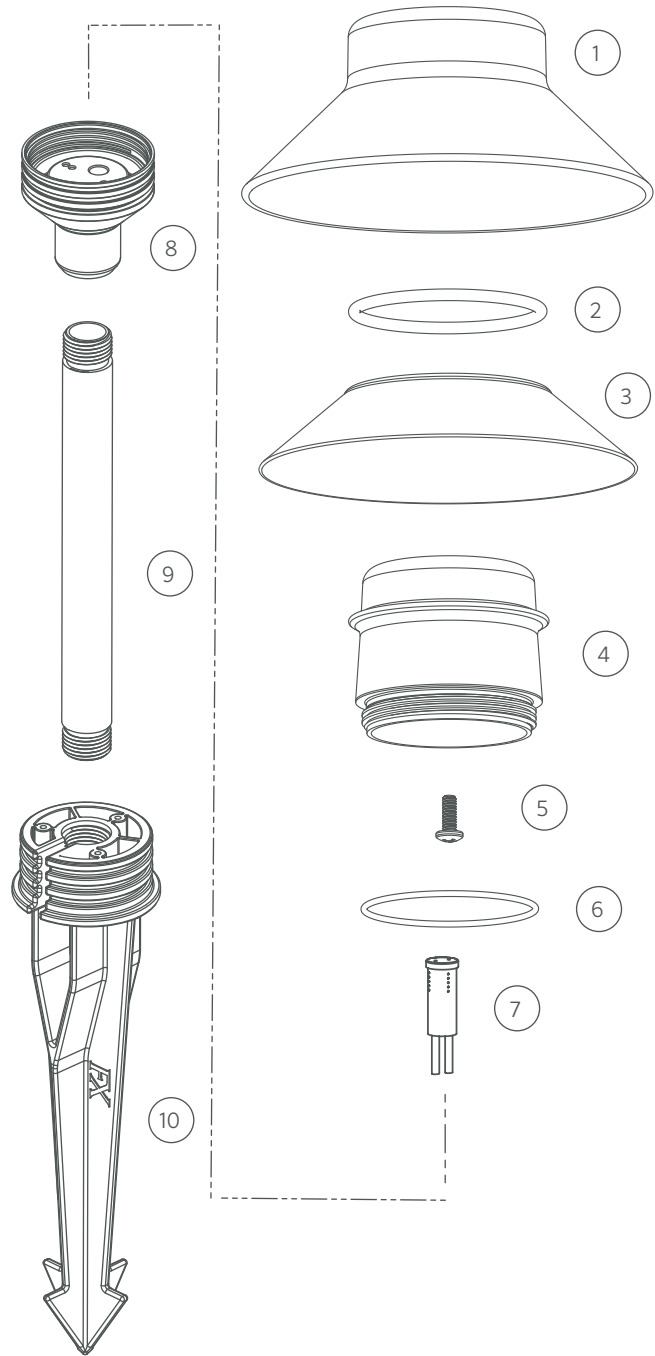
Replacement Parts

ITEM	DESCRIPTION	PART #
1	Top	†
2	O-Ring for Reflector	250010280011
3	Reflector, White	250018870000
4	Lens	753501
5	Screw, #8-32 x 7/16"	750103
6	O-Ring for Lens	250010280032
1-6	Top Assembly	TM-TA-XX
7	Socket, 10' (3 m)	754601
8	Reducer	2500218000XX*
9	Riser	YY-R-XX*
10	Long Slot Spike	250015840000

* XX = Finish code

* YY = Riser height in inches

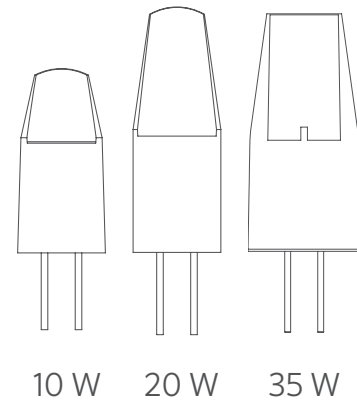
† This part is not serviceable. Contact Customer Support or a local distributor to order a replacement product.



LAMPS | G4 LAMPS

G4 LED Lamp Chart

LUMENS / VA	CCT	PART #
76 lm / 1.1 VA	2700K	G4-E-1-W
123 lm / 1.7 VA	2700K	G4-E-2-W
170 lm / 2.6 VA	2700K	G4-E-3-W
76 lm / 1.1 VA	3000K	G4-E-1-S
123 lm / 1.7 VA	3000K	G4-E-2-S
170 lm / 2.6 VA	3000K	G4-E-3-S



fxl.com/G4