

STANDARD | PATH LIGHT | SP

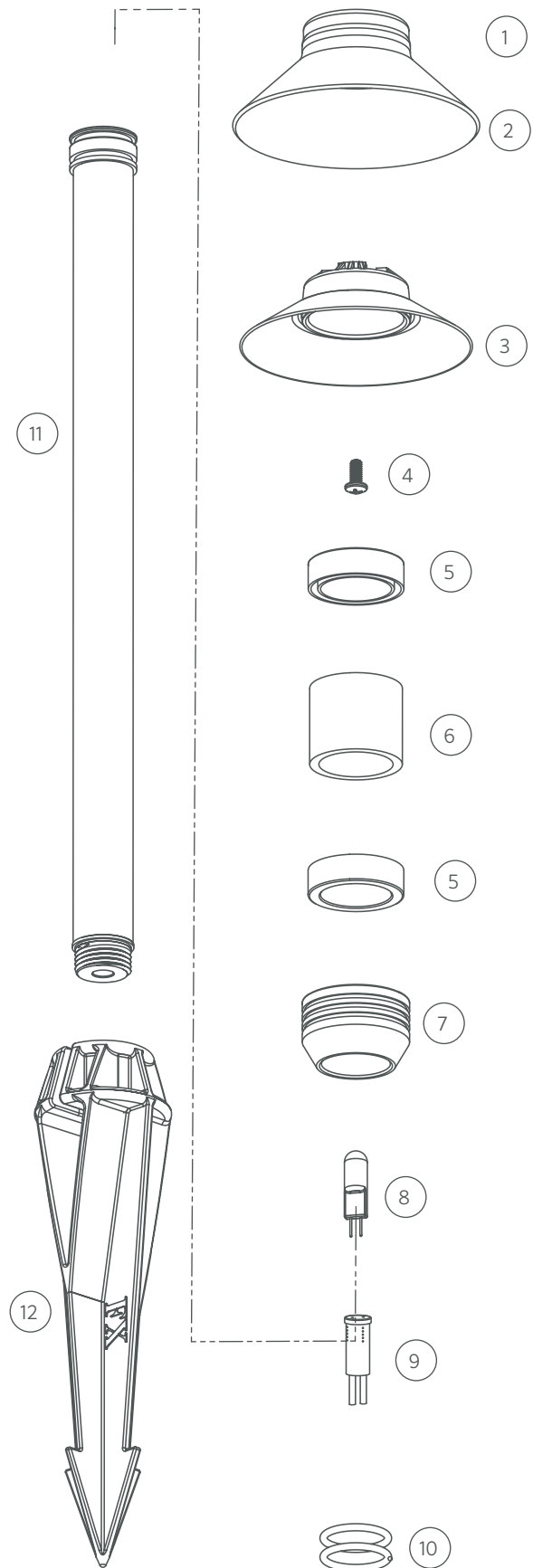
Replacement Parts

ITEM	DESCRIPTION	PART #
1	Cap, Brass	2500118000XX*
2	Top, Copper	†
3	Reflector	250016020000
4	Screw, #8-32 x 7/16"	750103
5	Seal	250011980000
6	Glass Lens	250011960000
7	Reducer, Brass	250011820000
1-7	Top Assembly	SP-TA-PF-XX*
3-7	Lens Assembly	SP-LA-PF
8	Lamp, G4	See Lamp Chart
9	Socket, 10' (3 m)	754601
10	O-Ring	250010280004
11	Riser, Copper	†
9-11	Riser Assembly	YY-RA-075-XX*
12	Super Slot Spike	753900

* XX = Finish code

* YY = Riser height in inches

† This part is not serviceable. Contact Customer Support or a local distributor to order a replacement product.



STANDARD | PATH LIGHT | SP-A

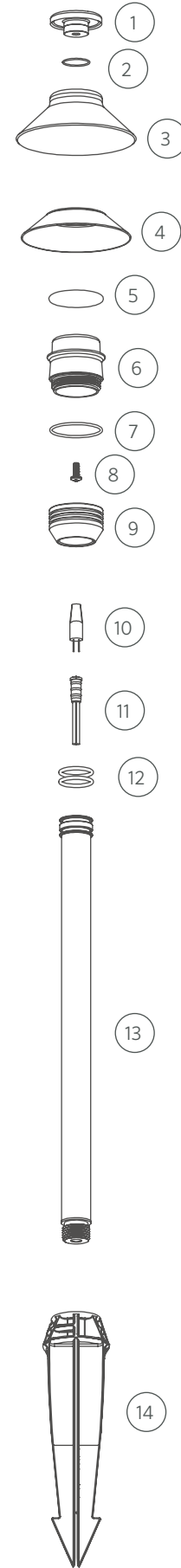
Replacement Parts

ITEM	DESCRIPTION	PART #
1	Top, Aluminum	†
2	O-Ring for Top	250010280001
3	Cap, Aluminum	†
4	Reflector	756200
5	O-Ring for Lens	250010280010
6	Lens	753000
7	O-Ring for Reducer	250010280033
8	Screw, #8-32 x 7/16"	750103
4-8	Lens Assembly, Threaded	SP-LA-TH
9	Reducer, Aluminum	250036740000
1-9	Top Assembly, Aluminum	SPA-TA-XX*
10	Lamp, G4	See Lamp Chart
11	Socket, 10' (3 m)	754600
12	O-Ring for Riser	250010280004
13	Riser, Aluminum	†
11-13	Riser Assembly	12R-SP-XX*

* XX = Finish code

* YY = Riser height in inches

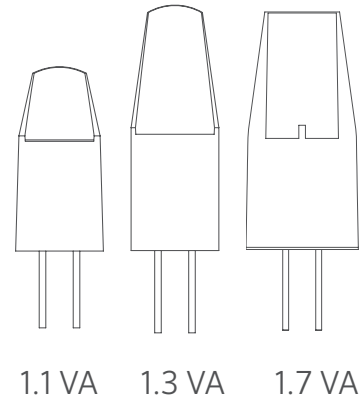
† This part is not serviceable. Contact Customer Support or a local distributor to order a replacement product.



LAMPS | G4 LAMPS

G4 LED Lamp Chart

LUMENS / VA	CCT	PART #
1.0 VA / 75 lm	2700K	G4-E-1-W
1.3 VA / 120 lm	2700K	G4-E-2-W
1.7 VA / 170 lm	2700K	G4-E-3-W
1.0 VA / 80 lm	3000K	G4-E-1-S
1.3 VA / 130 lm	3000K	G4-E-2-S
1.7 VA / 190 lm	3000K	G4-E-3-S



fxl.com/G4