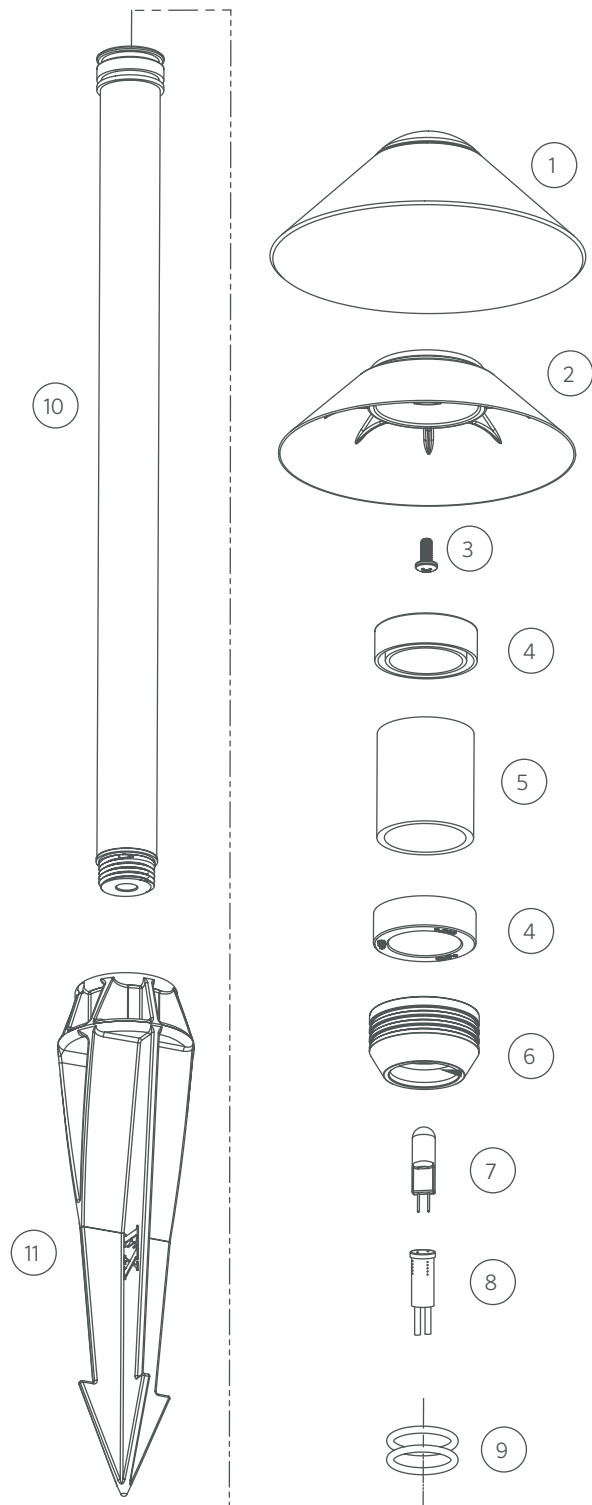


Replacement Parts

ITEM	DESCRIPTION	CATALOG #
1	Copper Top and Brass Cap	-
2	Reflector	250012180000
3	Screw, #8-32 x 3/8"	250011950000
4	Seal	250012140000
5	Lens	250012120000
6	Reducer	250012090000
7	Lamp	See Lamp Chart, p. 137-139
8	Socket, G4	754601
9	O-Ring	250010280004
10	Riser Subassembly	YYRA075XX*
11	Super Slot Spike	753900
1-6	Top Assembly	SCTAXX* ⁵
2-6	Lens Assembly	BDEASCLA

* YY = Riser height in inches, XX = Powder coat color code

⁵ Not interchangeable with SC LED Top Assembly



Top Assembly Replacement Parts

ITEM	DESCRIPTION	CATALOG #
1	Cap, Brass	2500118400XX*
2	O-Ring	250010280001
3	Top, Copper	-
4	Reflector, White	250015830000
5	O-Ring	250010280010
6	Lens	753100
7	Screw, #8-32 x 7/16"	750103
8	Reflector, Chrome	-
9	Screw, #4 x 3/8"	-
10	O-Ring	250010280033
8-9	Petite Cone Kit	PCONEKIT

*XX = Powder coat color code

