

DESIGNER | WALL WASH / DIRECTIONAL PATH LIGHT | RW

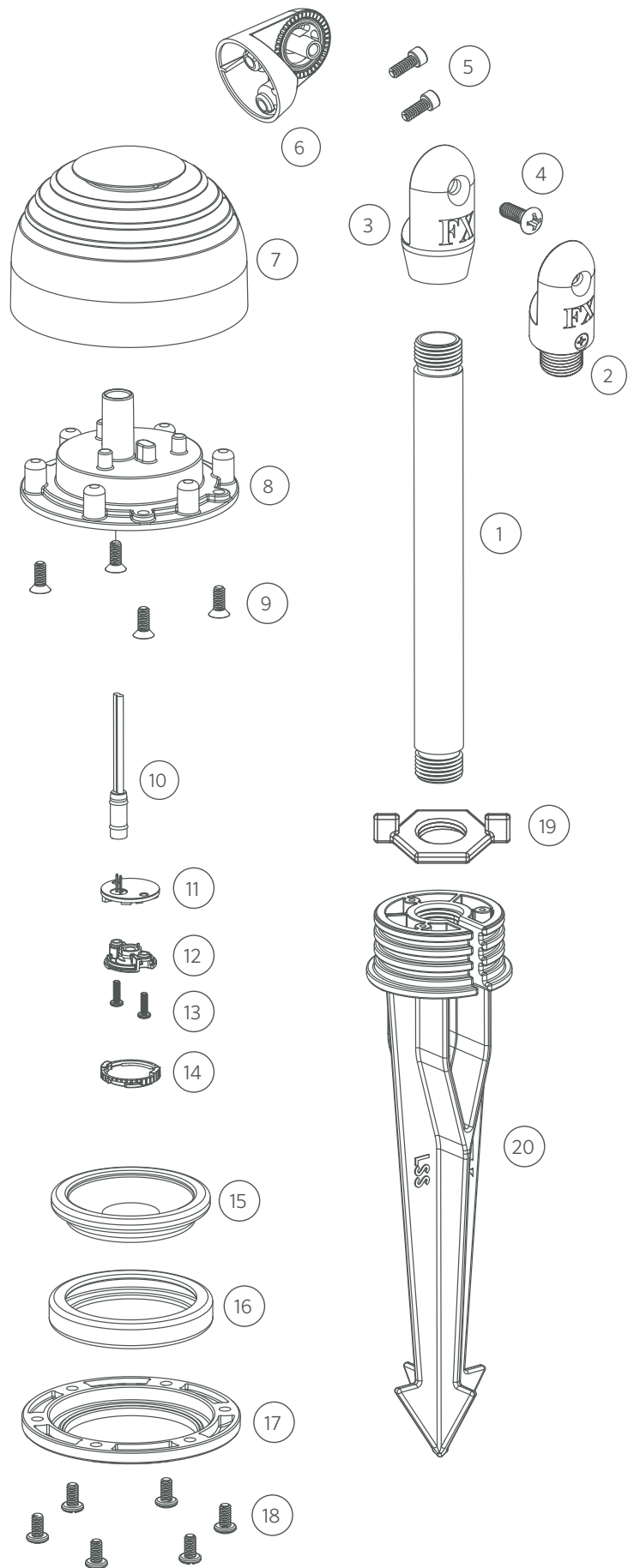
Replacement Parts

ITEM	DESCRIPTION	PART #
1	Riser, ½"-14 NPSM x 2	YYRXX*†
2	Knuckle, Male	†
3	Knuckle, Female	†
4	Screw, ¼"-20 x ¾"	250010290000
2, 4	Knuckle Subassembly, Male	KFM050XX*
3-4	Knuckle Subassembly, Female	KFF050XX*
5	Screw, #10-24 x ¾"	250013940000
6	Knuckle Base	†
7	Housing	†
8	Insert	†
9	Screw	250020010000
10	Socket, 10' (3 m)	†
11	LED Board	See LED Chart
12	Reflector	See LED Chart
13	Screw	See LED Chart
14	Beam Angle Lens	See LED Chart
15	Lens, Clear	250014240000
	Lens, Frosted	250014240001
16	Seal	250014250000
17	Faceplate	
	Ring	FCFPRGXX*
	Cowling	FCFPCWXX*
	Louver	FCFPLVXX*
18	Screw, #10-24 x ¾"	250015870000
19	Lock Ring	250030410000SP
20	Long Slot Spike	250015840000

†YY = Riser height in inches

*XX = Finish code

†This part is not serviceable. Contact Customer Support or a local distributor to order a new product.



DESIGNER SERIES | ROUND BOARDS WITH BEAM ANGLE LENSES, 1/3/6/9 LED

2nd Gen LED Chart

DESCRIPTION	PART #
LED Replacement Kits (Board, Reflector, Screws, Beam Angle Lenses)	
1 LED Up Light Kit (2700K)	KIT1LEDRDW
3 LED Up Light Kit (2700K)	KIT3LEDRDW
6 LED Up Light Kit (2700K)	KIT6LEDRDW
9 LED Up Light Kit (2700K)	KIT9LEDRDW
ZD 1 LED Up Light Kit (2700K)	KITZD1LEDRDW
ZD 3 LED Up Light Kit (2700K)	KITZD3LEDRDW
ZD 6 LED Up Light Kit (2700K)	KITZD6LEDRDW
ZD 9 LED Up Light Kit (2700K)	KITZD9LEDRDW
ZDC 3 LED Kit, Medium	ZDCKITM
ZDC 3 LED Kit, Large	ZDCKITL
Reflectors	
1 LED Reflector	770000
3 LED Reflector	770700
6 LED/9 LED Reflector	771400
ZDC 3 LED Reflector, Medium	250022050000
ZDC 3 LED Reflector, Large	250020690000
Screws	
1 LED/3 LED Screw, #4-40 x 3/8" (Qty Req: 2)	762400
6 LED/9 LED Screw, #4-40 x 7/16" (Qty Req: 3)	250014550000

Beam Angle Lens Chart

DESCRIPTION	PART #
Round Beam Angle Lenses	
1 LED Spot Lens (20°)	770600
1 LED Flood Lens (35°)	1LEDFLENS
1 LED Wide Flood Lens (60°)	1LEDWFLENS
3 LED Spot Lens (20°)	771300
3 LED Flood Lens (35°)	3LEDFLENS
3 LED Wide Flood Lens (60°)	3LEDWFLENS
6 LED/9 LED Spot Lens (20°)	771600
6 LED/9 LED Flood Lens (35°)	9LEDFLENS
6 LED/9 LED Wide Flood Lens (60°)	9LEDWFLENS

1st Gen LED Chart

DESCRIPTION	PART #
LED Replacement Kits (Board, Color Filters, Reflector, Screws)	
1 LED Up Light Kit (3900K)	1LEDULKIT
3 LED Up Light Kit (3900K)	3LEDULKIT
6 LED Up Light Kit (3900K)	6LEDULKIT
9 LED Up Light Kit (3900K)	9LEDULKIT
ZD 1 LED Up Light Kit (3900K)	ZD1LEDULKIT
ZD 3 LED Up Light Kit (3900K)	ZD3LEDULKIT
ZD 3 LED T Up Light Kit (TURTLE)	ZD3LEDTKIT
ZD 6 LED Up Light Kit (3900K)	ZD6LEDULKIT
ZD 9 LED Up Light Kit (3900K)	ZD9LEDULKIT
Color Filter Lenses Only	
1 LED Color Filter, Amber	770100
1 LED Color Filter, Blue	770101
1 LED Color Filter, Green	770102
3 LED Color Filter, Amber	770800
3 LED Color Filter, Blue	770801
3 LED Color Filter, Green	770802
6 LED/9 LED Color Filter, Amber	771500
6 LED/9 LED Color Filter, Blue	771501
6 LED/9 LED Color Filter, Green	771502
Optics Kits (Color Filters, Reflector, Screws)	
1 LED Optics Kit	1LEDOPTICKIT
3 LED Optics Kit	3LEDOPTICKIT
6 LED/9 LED Optics Kit	9LEDOPTICKIT