

STANDARD | PATH LIGHTS | RUNA RP-35 PETITE PATH LIGHT

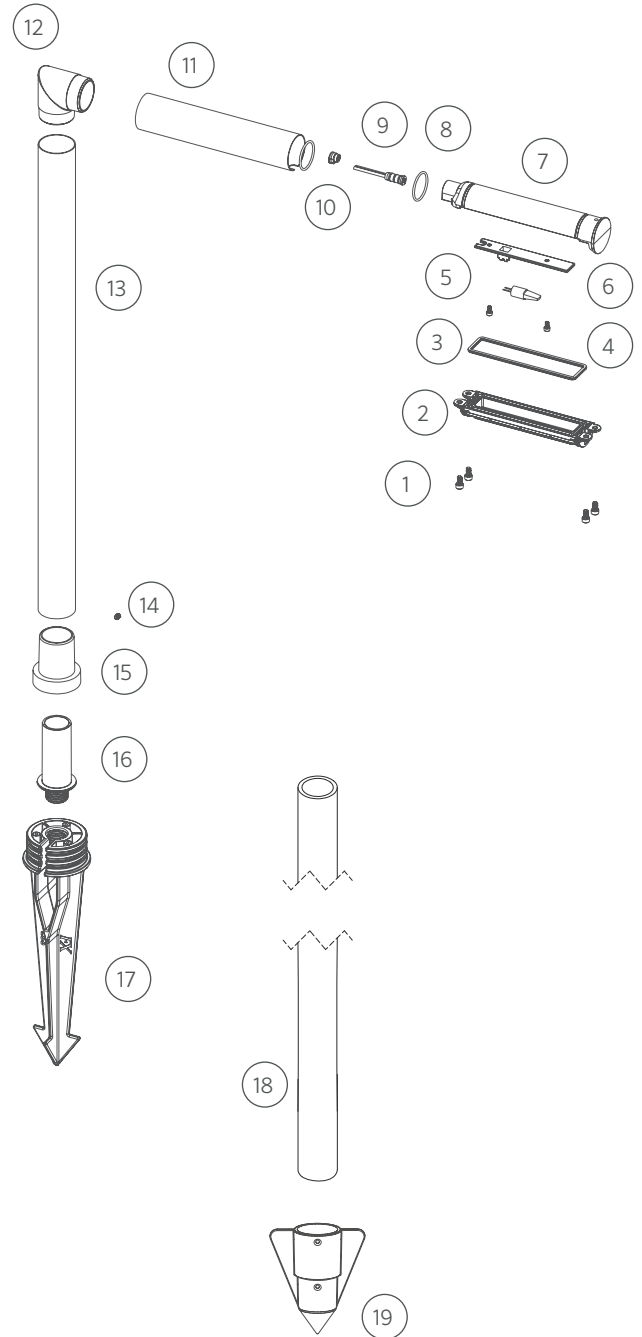
Replacement Parts

ITEM	DESCRIPTION	PART #
1	Screw	250033190000
2	Lens	250035840000
3	Gasket	250035850000
1-3	Lens Assembly	RP34-LA
4	Screw, M3 x 0.5 mm, 6 mm	250035500000
5	Lamp, G4	See Lamp Chart
6	Reflector	250035400000
7	Main Housing	†
8	O-Ring	250010280052
9	Socket, 10' (3 m)	754601
10	Cable Alignment Plug	250035510000
11	Horizontal Copper Housing	†
12	90° Adapter	KNAD-050-XX*
13	Vertical Copper Housing	†
14	Screw, M4 x 0.7 mm, 6 mm	250035870000
15	Conduit Mount, 3/4" SCH 40	†
16	Adapter, 3/4" SCH 40 to 1/2"-14 NPSM	250035490000
11-16	Riser Assembly	RP34-RA-20R-XX*
17	Large Slot Spike	250015840000
18	Conduit Stake, 3/4" SCH 40	250028770000
19	Conduit Stabilizer	†
18-19	Kit with Stabilizer, 3/4" SCH 40	CS-KIT-MPJ
NS	Hex Key, 2.5 mm, Short	250038350000
NS	Hex Key, 3 mm, Short	250038360000

NS = Not shown

*XX = Finish code

† This part is not serviceable. Contact Customer Support or a local distributor to order a replacement product.



LAMPS | G4 LAMPS

G4 LED Lamp Chart

LUMENS / VA	CCT	PART #
76 lm / 1.1 VA	2700K	G4-LED-10-W
123 lm / 1.7 VA	2700K	G4-LED-20-W
170 lm / 2.6 VA	2700K	G4-LED-35-W
76 lm / 1.1 VA	3000K	G4-LED-10-S
123 lm / 1.7 VA	3000K	G4-LED-20-S
170 lm / 2.6 VA	3000K	G4-LED-35-S

