

# STANDARD | PATH LIGHT | PF

## Replacement Parts

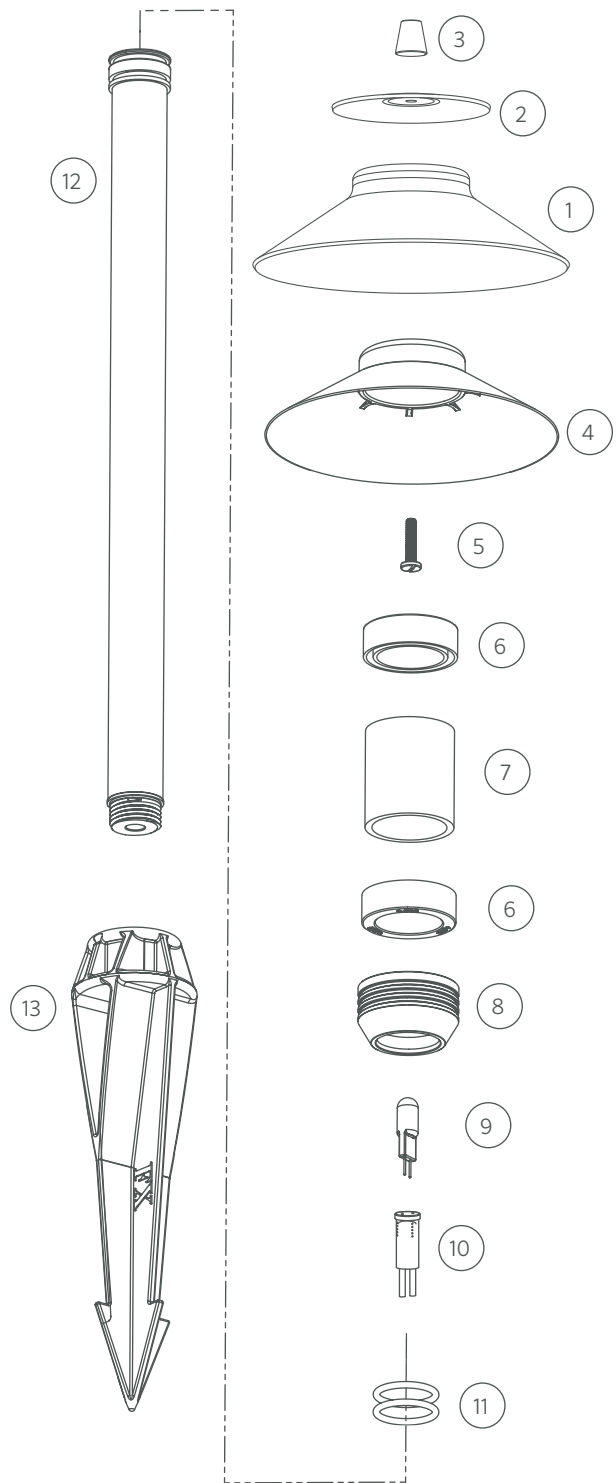
ITEM	DESCRIPTION	PART #
1	Copper Top	†
2	Copper Shade	2500122900XX*
3	Brass Cap	2500123000XX*
4	Reflector	250015820000
5	Screw, #8-32 x 3/4"	250018780000
6	Seal	†
1-6	Top Assembly	PF-TA-XX* <sup>‡</sup>
2-6	Lens Assembly	PF-LA
7	Lens	250012120000
8	Reducer	†
9	Lamp, G4	See Lamp Chart
10	Socket, 10' (3 m)	754601
11	O-Ring	250010280004
10-12	Riser Subassembly	YY-RA-075-XX*
13	Super Slot Spike	753900

\* YY = Riser height in inches

\* XX = Finish code

<sup>‡</sup> Not interchangeable with PF LED Top Assembly

† This part is not serviceable. Contact Customer Support or a local distributor to order a replacement product.



# LAMPS | G4 LAMPS

## G4 LED Lamp Chart

LUMENS / VA	CCT	PART #
76 lm / 1.1 VA	2700K	G4-LED-10-W
123 lm / 1.7 VA	2700K	G4-LED-20-W
170 lm / 2.6 VA	2700K	G4-LED-35-W
76 lm / 1.1 VA	3000K	G4-LED-10-S
123 lm / 1.7 VA	3000K	G4-LED-20-S
170 lm / 2.6 VA	3000K	G4-LED-35-S

