

# STANDARD | PATH LIGHT | DM

## Replacement Parts

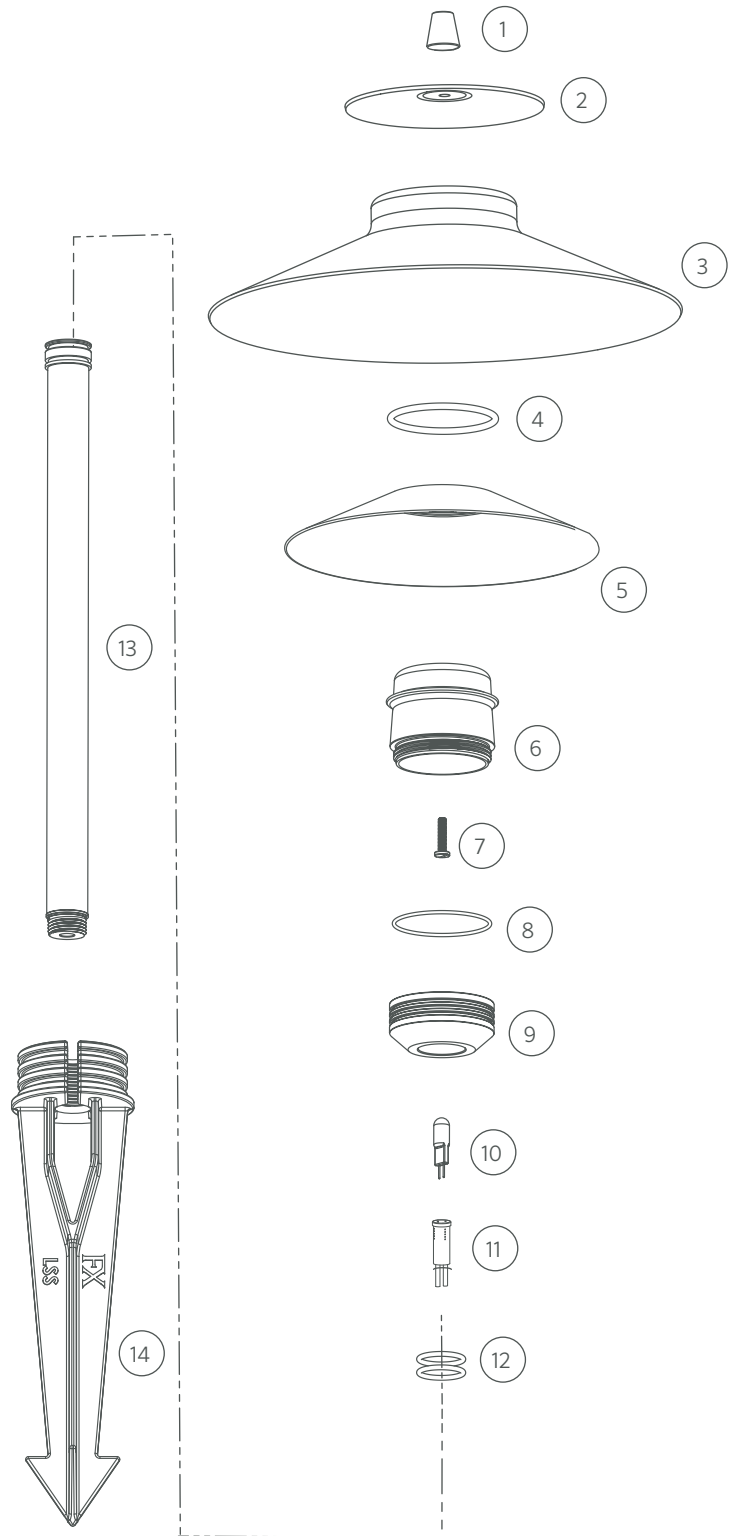
ITEM	DESCRIPTION	PART #	
1	Cap Nut	2500123000XX*	
2	Shade	†	
3	Top	†	
4	O-Ring for Reflector	250010280011	
5	Reflector	754900	
6	Lens	Copper	753501 <sup>§</sup>
		Aluminum	753500
7	Screw, #8-32 x 3/4"	250012320000	
8	O-Ring for Lens	250010280009	
9	Reducer	Brass	2500133000XX*
		Aluminum	2500273900XX*
1-9	Top Assembly	Copper/Brass	DM-TA-XX* <sup>§</sup>
		Aluminum	DMA-TA-XX* <sup>§</sup>
4-9	Lens Assembly	Copper	DM-LA <sup>§</sup>
		Aluminum	†
10	Lamp, G4	See Lamp Chart	
11	Socket, 10' (3 m)	754601	
12	O-Ring for Riser Assembly	250010280004	
13	Riser	†	
11-13	Riser Assembly	Copper/Brass	YY-RA-075-XX*
		Aluminum	YY-R-SP-XX*
14	Long Slot Spike	250015840000	

\* XX = Finish code

\* YY = Riser height in inches

<sup>§</sup> Not interchangeable with DM LED Top Assembly

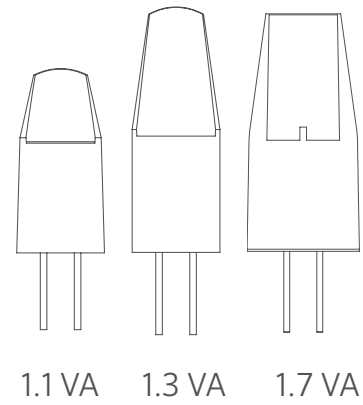
† This part is not serviceable. Contact Customer Support or a local distributor to order a new product.



# LAMPS | G4 LAMPS

## G4 LED Lamp Chart

LUMENS / VA	CCT	PART #
1.0 VA / 75 lm	2700K	G4-E-1-W
1.3 VA / 120 lm	2700K	G4-E-2-W
1.7 VA / 170 lm	2700K	G4-E-3-W
1.0 VA / 80 lm	3000K	G4-E-1-S
1.3 VA / 130 lm	3000K	G4-E-2-S
1.7 VA / 190 lm	3000K	G4-E-3-S



[fxl.com/G4](https://fxl.com/G4)