

STANDARD | PATH LIGHT | DL

Replacement Parts

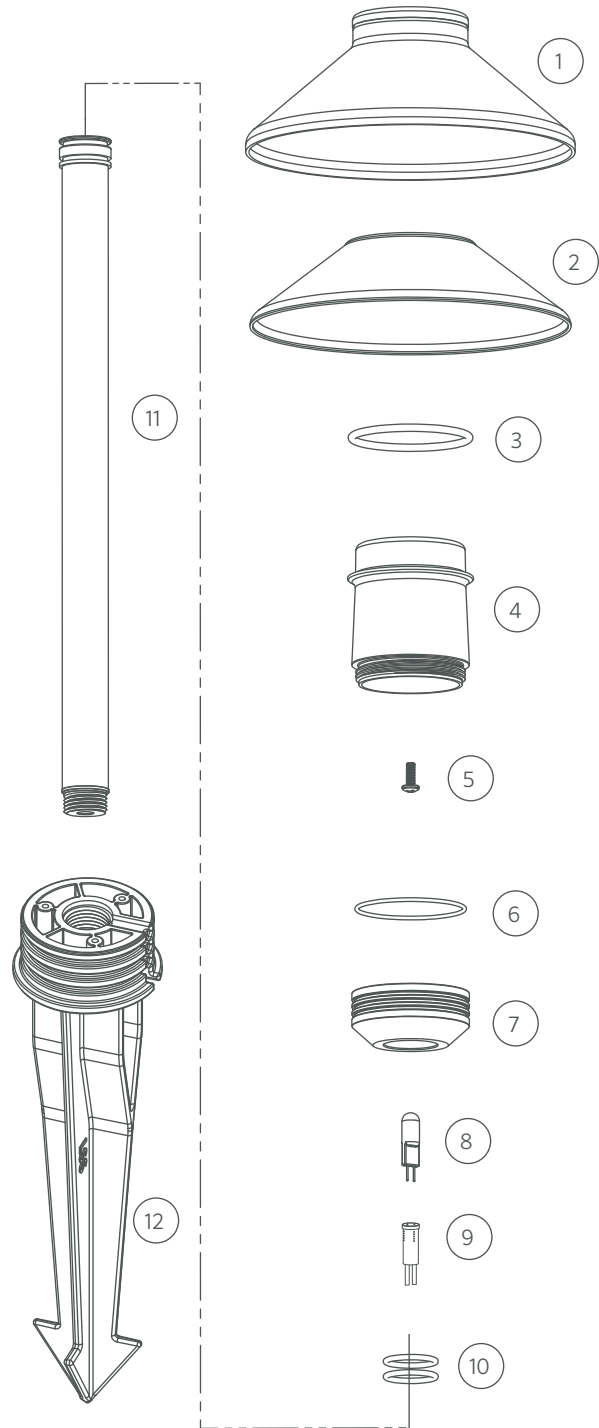
ITEM	DESCRIPTION	PART #
1	Top and Cap	†
2	Reflector	755000
3	O-Ring for Lens, Top	250010280011
4	Lens	For DL in Copper 753301 [§] For DL in Aluminum 755330
5	Screw, #8-32 x 7/16"	750103
6	O-Ring for Lens, Bottom	250010280001
7	Reducer	Brass 2500133000XX* Aluminum 2500273900XX*
8	Lamp, G4	See Lamp Chart
9	Socket, 10' (3 m)	754601
10	O-Ring for Riser	250010280004
11	Riser Assembly	Copper/Brass YY-RA-075-XX* Aluminum YY-R-SP-XX*
12	Long Slot Spike	250015840000
1-7	Top Assembly	Copper/Brass DL-TA-XX* [§] Aluminum DLA-TA-XX*
2-7	Lens Assembly	For DL in Copper/Brass DL-LA For DL in Aluminum †

* YY = Riser height in inches

* XX = Finish code

[§] Not interchangeable with DM LED Top Assembly

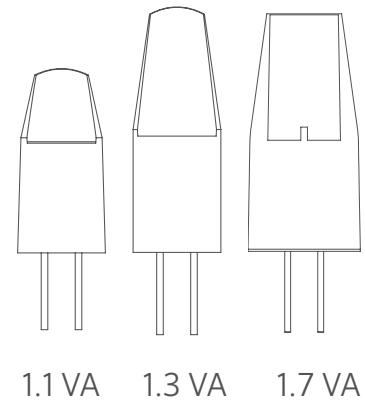
[†] This part is not serviceable. Contact Customer Support or a local distributor to order a new product.



LAMPS | G4 LAMPS

G4 LED Lamp Chart

LUMENS / VA	CCT	PART #
1.0 VA / 75 lm	2700K	G4-E-1-W
1.3 VA / 120 lm	2700K	G4-E-2-W
1.7 VA / 170 lm	2700K	G4-E-3-W
1.0 VA / 80 lm	3000K	G4-E-1-S
1.3 VA / 130 lm	3000K	G4-E-2-S
1.7 VA / 190 lm	3000K	G4-E-3-S



fxl.com/G4