

# DESIGNER | UNDERWATER PUCK LIGHT | LP

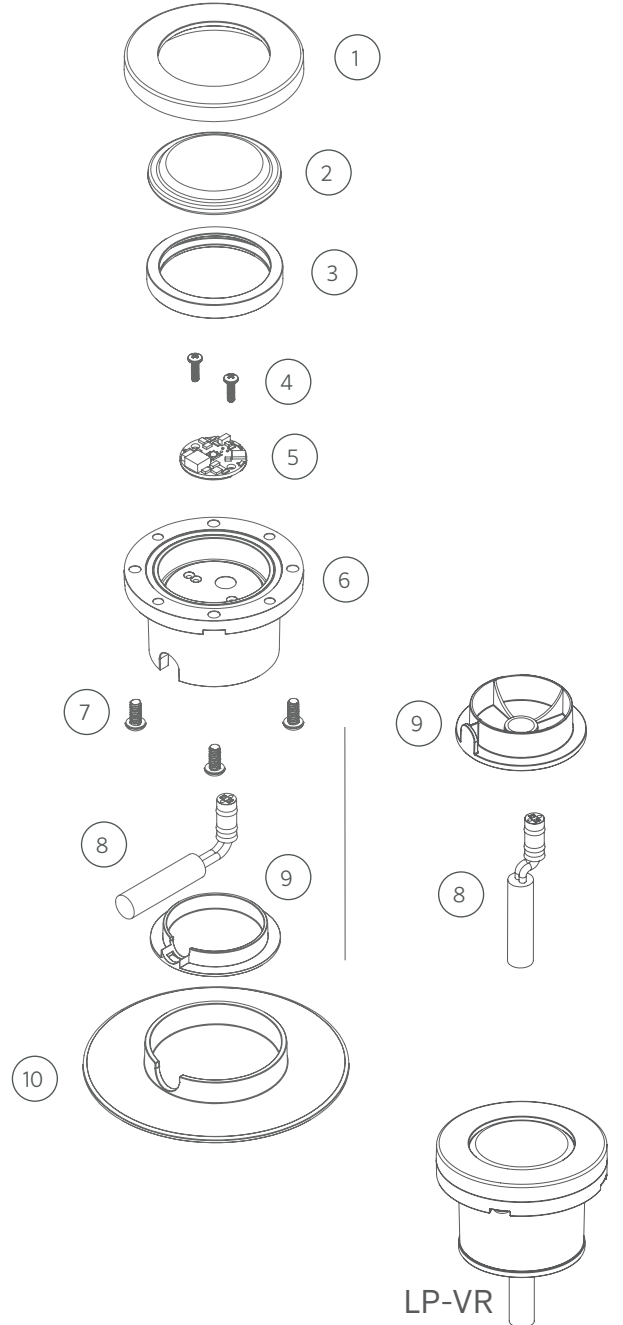
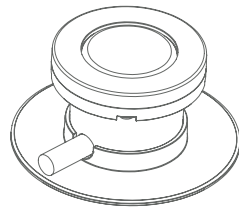
## Replacement Parts

ITEM	DESCRIPTION	PART #	
1	Shroud	250022440000	
2	Lens	250022470000	
3	Gasket	250022460000	
4	Screw	See LED Chart	
5	LED Board	See LED Chart	
6	Housing, Brass	†	
7	Screw, #8-32 x 3/8"	250023810000	
1-3, 7	Lens Cap Assembly	LPLFBS	
8	Socket, 30' (9 m)	†	
9	Cover	Horizontal (HZ)	†
		Vertical (VR)	†
10	Stand	250022480000	
NS	Torx Key, T15	†	

NS = Not shown

† This part is not serviceable. Contact Customer Support or a local distributor to order a new product.

LP-HZ



LP-VR

## DESIGNER | ROUND BOARDS WITH BEAM ANGLE LENSES, 1/3 LED

### 2nd Gen LED Chart

DESCRIPTION	PART #
<b>LED Replacement Kits</b> (Board, Reflector, Screws, Beam Angle Lenses)	
1 LED Round Board Kit (2700K)	DKIT-1LED-W-RD-OP
1 LED Round Board Kit (3000K)	DKIT-1LED-S-RD-OP
1 LED Round Board Kit (4000K)	DKIT-1LED-C-RD-OP
3 LED Round Board Kit (2700K)	DKIT-3LED-W-RD-OP
3 LED Round Board Kit (3000K)	DKIT-3LED-S-RD-OP
3 LED Round Board Kit (4000K)	DKIT-3LED-C-RD-OP
ZD 1 LED Round Board Kit (2700K)	DKIT-ZD-1LED-W-RD-OP
ZD 1 LED Round Board Kit (3000K)	DKIT-ZD-1LED-S-RD-OP
ZD 1 LED Round Board Kit (4000K)	DKIT-ZD-1LED-C-RD-OP
ZD 3 LED Round Board Kit (TURTLE)	DKIT-ZD-3LEDT-RD-OP
ZD 3 LED Round Board Kit (2700K)	DKIT-ZD-3LED-W-RD-OP
ZD 3 LED Round Board Kit (3000K)	DKIT-ZD-3LED-S-RD-OP
ZD 3 LED Round Board Kit (4000K)	DKIT-ZD-3LED-C-RD-OP
ZDC 3 LED Kit, Medium	DKIT-ZDC-3LED-RGBW-MD-OP
<b>Screws</b>	
1 LED/3 LED Screw, #4-40 x 3/8"	762400

### Beam Angle Lens Chart

DESCRIPTION	PART #
<b>Round Beam Angle Lenses</b>	
1 LED Spot Lens (20°)	770600
1 LED Flood Lens (35°)	1LED-FL-LENS
1 LED Wide Flood Lens (60°)	1LED-WFL-LENS
3 LED Spot Lens (20°)	771300
3 LED Flood Lens (35°)	3LED-FL-LENS
3 LED Wide Flood Lens (60°)	3LED-WFL-LENS

### 1st Gen LED Chart

DESCRIPTION	PART #
<b>LED Replacement Kits</b> (Board, Reflector, Screws, Color Filters)	
1 LED Up Light Kit (3900K)	1LED-UL-KIT
3 LED Up Light Kit (3900K)	3LED-UL-KIT
ZD 1 LED Up Light Kit (3900K)	ZD-1LED-UL-KIT
ZD 3 LED Up Light Kit (3900K)	ZD-3LED-UL-KIT
ZD 3 LED T Up Light Kit (TURTLE)	ZD-3LED-T-KIT
<b>Color Filter Lenses Only</b>	
1 LED Color Filter, Amber	770100
1 LED Color Filter, Blue	770101
1 LED Color Filter, Green	770102
3 LED Color Filter, Amber	770800
3 LED Color Filter, Blue	770801
3 LED Color Filter, Green	770802
<b>Optics Kits</b> (Reflector, Screws, Color Filters)	
1 LED Optics Kit	1LED-OPTICS-KIT
3 LED Optics Kit	3LED-OPTICS-KIT