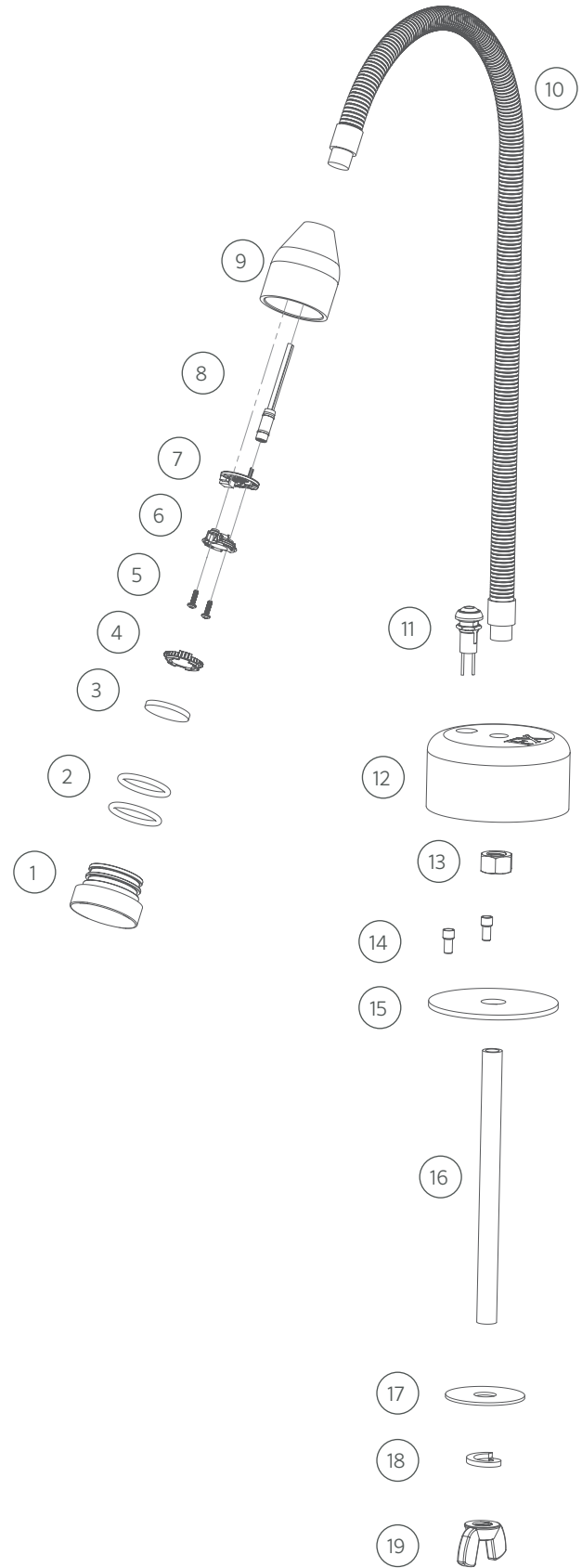


# DESIGNER | TASK LIGHT | BQ

## Replacement Parts

ITEM	DESCRIPTION	PART #
1	Cap	†
2	O-Ring	250010280015
3	Lens	†
1-3	Lens Cap Assembly	BQ-LC-SS
4	Diffuser	See LED Chart
5	Screw, #4-40 x 3/8"	See LED Chart
6	Reflector	See LED Chart
7	LED Board	See LED Chart
8	Socket, 10' (3 m)	†
9	Body	†
10	Flexible Conduit	250019580000
11	Push-Button Switch	250019590000
12	Base	†
13	Hex Nut, 1/2"-13	250019830000
14	Wire Crimp Connector	250010920000
15	Base Gasket	250019560000
16	Mounting Rod	250019570000
17	Fender Washer, 1/2"	250019870000
18	Lock Washer, Split, 1/2"	250019820000
19	Wing Nut, 1/2"-13	250019840000

† = This part is not serviceable. Contact Customer Support or a local distributor to order a complete product.



## DESIGNER | ROUND BOARDS WITH BEAM ANGLE LENSES, 1 LED

### 2nd Gen LED Chart

DESCRIPTION	PART #
<b>LED Replacement Kits</b> (Board, Reflector, Screws, Beam Angle Lenses)	
1 LED Up Light Kit (2700K)	KIT-1LED-RD-W
ZD 1 LED Up Light Kit (2700K)	KIT-ZD-1LED-RD-W
<b>Reflectors</b>	
1 LED Reflector	770000
<b>Screws</b>	
1 LED/3 LED Screw, #4-40 x 3/8" (Qty Req: 2)	762400

### Beam Angle Lens Chart

DESCRIPTION	PART #
<b>Round Beam Angle Lenses</b>	
1 LED Spot Lens (20°)	770600
1 LED Flood Lens (35°)	1LED-FL-LENS
1 LED Wide Flood Lens (60°)	1LED-WFL-LENS

### 1st Gen LED Chart

DESCRIPTION	PART #
<b>LED Replacement Kits</b> (Board, Color Filters, Reflector, Screws)	
1 LED Up Light Kit (3900K)	1LED-UL-KIT
ZD 1 LED Up Light Kit (3900K)	ZD-1LED-UL-KIT
<b>Color Filter Lenses Only</b>	
1 LED Color Filter, Amber	770100
1 LED Color Filter, Blue	770101
1 LED Color Filter, Green	770102
<b>Optics Kits</b> (Color Filters, Reflector, Screws)	
1 LED Optics Kit	1LED-OPTICS-KIT