

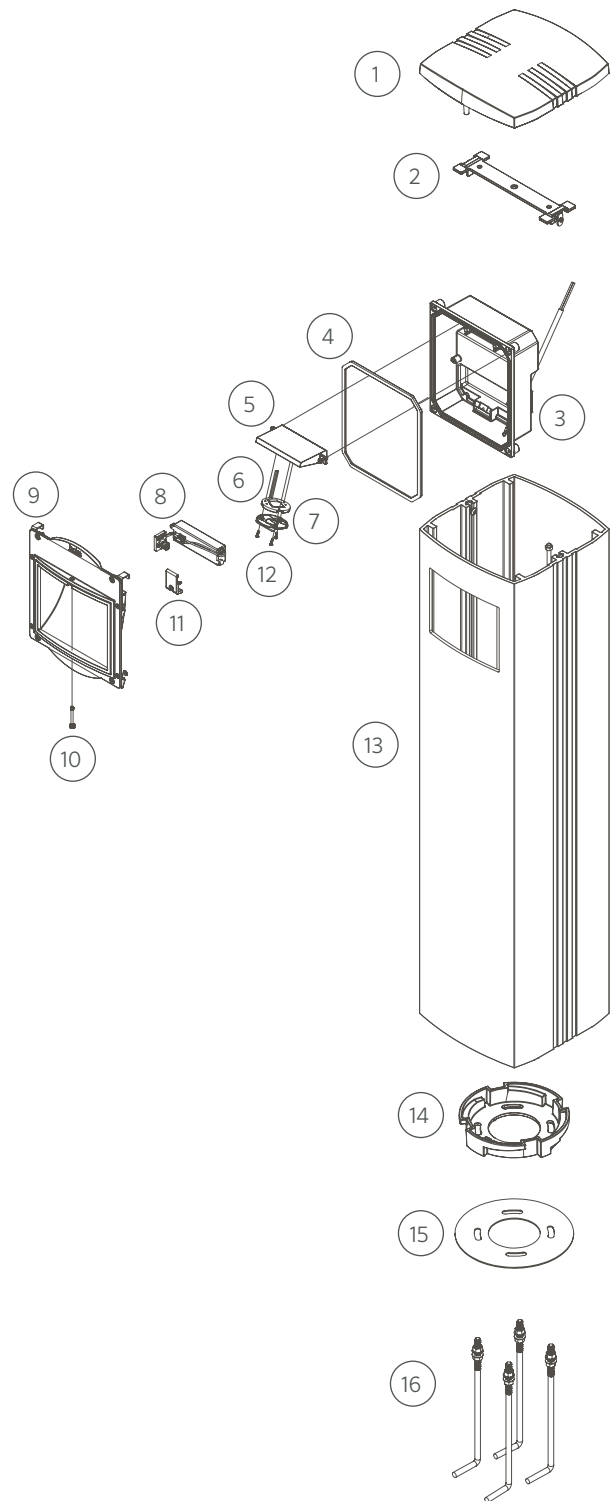
# LINE VOLTAGE | PATH LIGHT | A-BR10

## Replacement Parts

ITEM	DESCRIPTION	CATALOG #
1	Top Cap Assembly	ARSE26TAXX*
2	Bracket Assembly, Top	ARSE26BRKTT
3	Fixture Housing	ARSE26HACVXX*
4	Fixture Faceplate Gasket	250023600000
5	LED Module Base	250023610000
6	LED Board	See LED Config Chart
7	Reflector	†
8	Driver	See Driver Config Chart
9	Fixture Faceplate (GP and GG Options)	ARSE26FPGPXX*
9	Fixture Faceplate (GV Option)	ARSE26FVVPXX*
9	Fixture Faceplate (FR GP and FR GG Options)	ARSE26FPRGPXX*
9	Fixture Faceplate (FR GV Option)	ARSE26FPRVPPXX*
10	Setscrew, 10-32 x 1½" (40 mm)	250025910000
11	Driver Clamp	250021560000
12	Screw, 4-40 x ¾"	762400
13	Body Assembly (GP Option)	ARSE26EXTASSYCVXX*
13	Body Assembly (GG and GV Options)	ARSE26EXTASSYCVGGXX
14-16	Mounting Kit	MKBR10
14	Install Base	250023890000
15	Install Base Spacer	250024740000
16	L-Bolts, ¾"-16 x 10" (250 mm)	†

\* Replace "XX" with desired powder coat finish code

† This part is not serviceable. Contact Customer Support or a local distributor to order a new product.



# LINE VOLTAGE | PATH LIGHT | A-BR10

## Driver Configuration Chart

BASE	POWER CONTROL	OUTPUT
DVR	SV 120V/60Hz Phase UL Listed	350 700 Lumens (L07)
	UV 110-277V/50Hz 0-10V UL Listed	500 1,000 Lumens (L10)
	HV 220-240V/50Hz 0-10V CE Certified	700 1,300 Lumens (L13) & 2,000 Lumens (L20)
		700D SV L20 only

Example: **DVRUV700**

## LED Configuration Chart

BASE	OUTPUT	CCT
LED19S	L13 700 Lumens (L07) & 1,000 Lumens (L10) & 1,300 Lumens (L13)	K27 2,700K
	L20 2,000 Lumens (L20)	K30 3,000K
		K40 4,000K

Example: **LED19SL13K30**