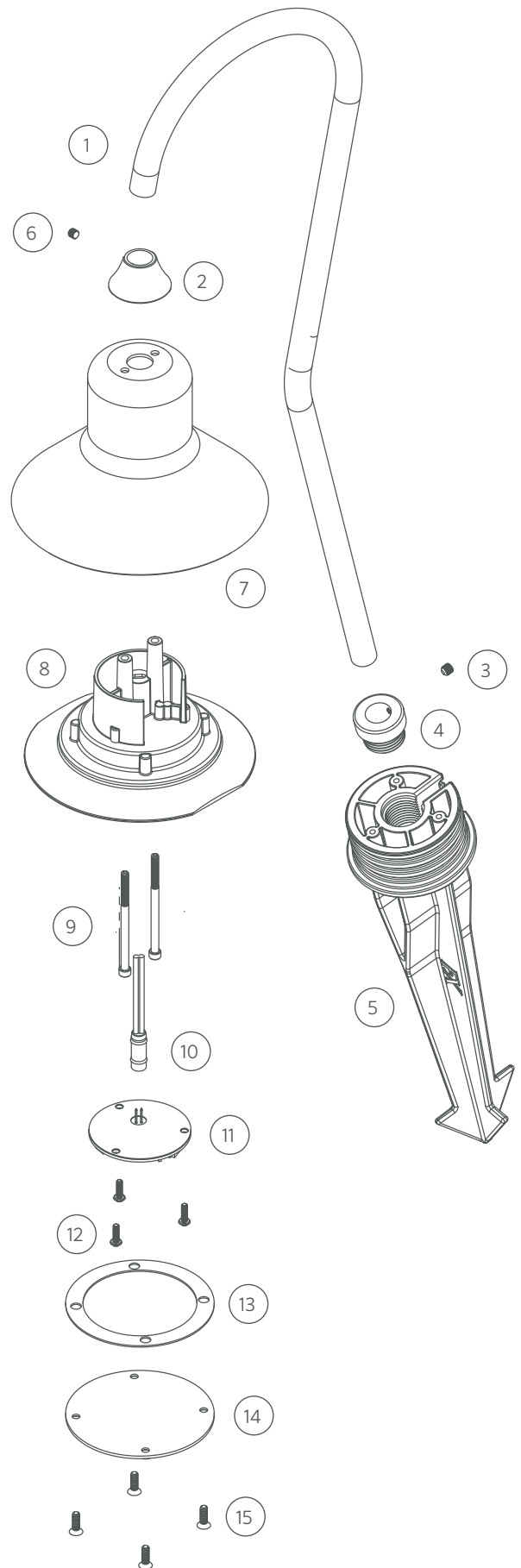


# DESIGNER | PATH LIGHT | TD

## Replacement Parts

ITEM	DESCRIPTION	PART #
1	Riser, Copper	†
2	Coupling	†
3	Screw, #10-32 x 3/16"	250012050000
4	Bottom Insert	250011990000
5	Long Slot Spike	250015840000
6	Screw, #8-32 x 3/16"	250012760000
7	Top	†
8	LED Insert	†
9	Screw, #6-32 x 2 1/8"	250021140000
10	Socket, 10' (3 m)	†
11	LED Board	See LED Chart
12	Screw, #4-40 x 3/8"	See LED Chart
13	Gasket	250019130000
14	Lens	See LED Chart
15	Screw, #6-32 x 3/8"	250014810000

† This part is not serviceable. Contact Customer Support or a local distributor to order a new product.



## DESIGNER | ROUND BOARDS WITH BEAM ANGLE LENSES, 1/3/6/9 LED

### 2nd Gen LED Chart

DESCRIPTION	PART #
<b>LED Replacement Kits</b> (Board, Reflector, Screws, Beam Angle Lenses)	
1 LED Up Light Kit (2700K)	KIT-1LED-RD-W
3 LED Up Light Kit (2700K)	KIT-3LED-RD-W
6 LED Up Light Kit (2700K)	KIT-6LED-RD-W
9 LED Up Light Kit (2700K)	KIT-9LED-RD-W
ZD 1 LED Up Light Kit (2700K)	KIT-ZD-1LED-RD-W
ZD 3 LED Up Light Kit (2700K)	KIT-ZD-3LED-RD-W
ZD 6 LED Up Light Kit (2700K)	KIT-ZD-6LED-RD-W
ZD 9 LED Up Light Kit (2700K)	KIT-ZD-9LED-RD-W
ZDC 3 LED Kit, Medium	ZDC-KIT-M
ZDC 3 LED Kit, Large	ZDC-KIT-L
<b>Reflectors</b>	
1 LED Reflector	770000
3 LED Reflector	770700
6 LED/9 LED Reflector	771400
ZDC 3 LED Reflector, Medium	250022050000
ZDC 3 LED Reflector, Large	250020690000
<b>Screws</b>	
1 LED/3 LED Screw, #4-40 x 3/8" (Qty Req: 2)	762400
6 LED/9 LED Screw, #4-40 x 7/16" (Qty Req: 3)	250014550000

### Beam Angle Lens Chart

DESCRIPTION	PART #
<b>Round Beam Angle Lenses</b>	
1 LED Spot Lens (20°)	770600
1 LED Flood Lens (35°)	1LED-FL-LENS
1 LED Wide Flood Lens (60°)	1LED-WFL-LENS
3 LED Spot Lens (20°)	771300
3 LED Flood Lens (35°)	3LED-FL-LENS
3 LED Wide Flood Lens (60°)	3LED-WFL-LENS
6 LED/9 LED Spot Lens (20°)	771600
6 LED/9 LED Flood Lens (35°)	9LED-FL-LENS
6 LED/9 LED Wide Flood Lens (60°)	9LED-WFL-LENS

### 1st Gen LED Chart

DESCRIPTION	PART #
<b>LED Replacement Kits</b> (Board, Reflector, Screws, Color Filters)	
1 LED Up Light Kit (3900K)	1LED-UL-KIT
3 LED Up Light Kit (3900K)	3LED-UL-KIT
6 LED Up Light Kit (3900K)	6LED-UL-KIT
9 LED Up Light Kit (3900K)	9LED-UL-KIT
ZD 1 LED Up Light Kit (3900K)	ZD-1LED-UL-KIT
ZD 3 LED Up Light Kit (3900K)	ZD-3LED-UL-KIT
ZD 3 LED T Up Light Kit (TURTLE)	ZD-3LED-T-KIT
ZD 6 LED Up Light Kit (3900K)	ZD-6LED-UL-KIT
ZD 9 LED Up Light Kit (3900K)	ZD-9LED-UL-KIT
<b>Color Filter Lenses Only</b>	
1 LED Color Filter, Amber	770100
1 LED Color Filter, Blue	770101
1 LED Color Filter, Green	770102
3 LED Color Filter, Amber	770800
3 LED Color Filter, Blue	770801
3 LED Color Filter, Green	770802
6 LED/9 LED Color Filter, Amber	771500
6 LED/9 LED Color Filter, Blue	771501
6 LED/9 LED Color Filter, Green	771502
<b>Optics Kits</b> (Reflector, Screws, Color Filters)	
1 LED Optics Kit	1LED-OPTICS-KIT
3 LED Optics Kit	3LED-OPTICS-KIT
6 LED/9 LED Optics Kit	9LED-OPTICS-KIT