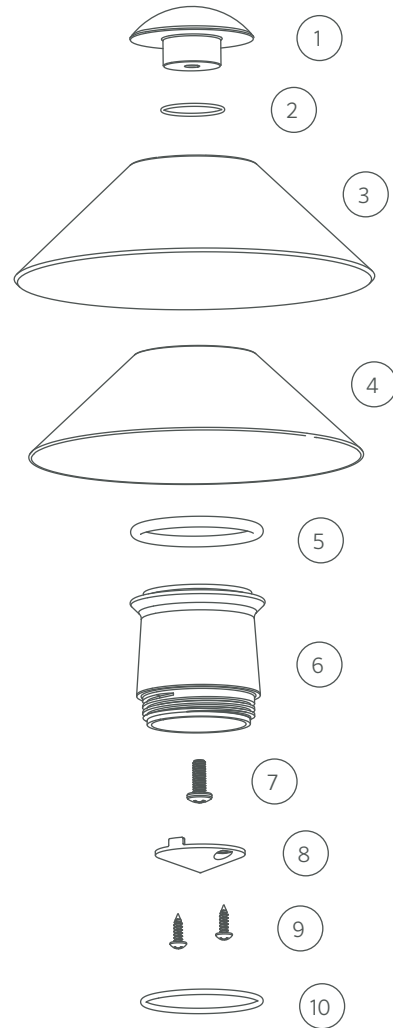


Top Assembly Replacement Parts

ITEM	DESCRIPTION	PART #
1	Cap	2500118400XX*
2	O-Ring for Cap	250010280001
3	Top, Copper	†
4	Reflector, White	250015830000
5	O-Ring for Reflector	250010280010
6	Lens	753100
7	Screw, #8-32 x 7/16"	750103
8	Reflector, Chrome	†
9	Screw, #4 x 3/8"	†
10	O-Ring for Lens	250010280033
8-9	Petite Cone Kit	P-CONE-KIT

\*XX = Finish code

† This part is not serviceable. Contact Customer Support or a local distributor to order a new product.



# DESIGNER | RISER ASSEMBLY | PETITE (P)

## Replacement Parts

ITEM	DESCRIPTION	PART #
1	Screw	See LED Chart
2	Reflector	See LED Chart
3	LED Board	See LED Chart
4	Socket, 10' (3 m)	752601
5	Riser Assembly	†
6	Large Slot Spike	250015840000

† This part is not serviceable. Contact Customer Support or a local distributor to order a new product.

## 1st Gen LED Chart

DESCRIPTION	PART #
<b>LED Replacement Kits</b> (Board, Reflector, Screws, Color Filters)	
1 LED Up Light Kit (3900K)	1LED-UL-KIT
ZD 1 LED Up Light Kit (3900K)	ZD-1LED-UL-KIT
<b>Reflectors</b>	
1 LED Reflector	770000
<b>Screws</b>	
1 LED/3 LED Screw, #4-40 x 3/8" (Qty Req: 2)	762400
<b>Color Filter Lenses Only</b>	
1 LED Color Filter, Amber	770100
1 LED Color Filter, Blue	770101
1 LED Color Filter, Green	770102
<b>Optics Kits</b> (Color Filters, Reflector, Screws)	
1 LED Optics Kit	1LED-OPTICS-KIT

## 2nd Gen LED Chart

DESCRIPTION	PART #
<b>LED Replacement Kits</b> (Reflector, Screws, Color Filters)	
1 LED Up Light Kit (2700K)	KIT-1LED-RD-W
ZD 1 LED Up Light Kit (2700K)	KIT-ZD-1LED-RD-W
<b>Reflectors</b>	
1 LED Reflector	770000
<b>Screws</b>	
1 LED/3 LED Screw, #4-40 x 3/8" (Qty Req: 2)	762400

