

DESIGNER | PATH LIGHTS | MODERN PP-36 PETITE PATH LIGHT

Replacement Parts

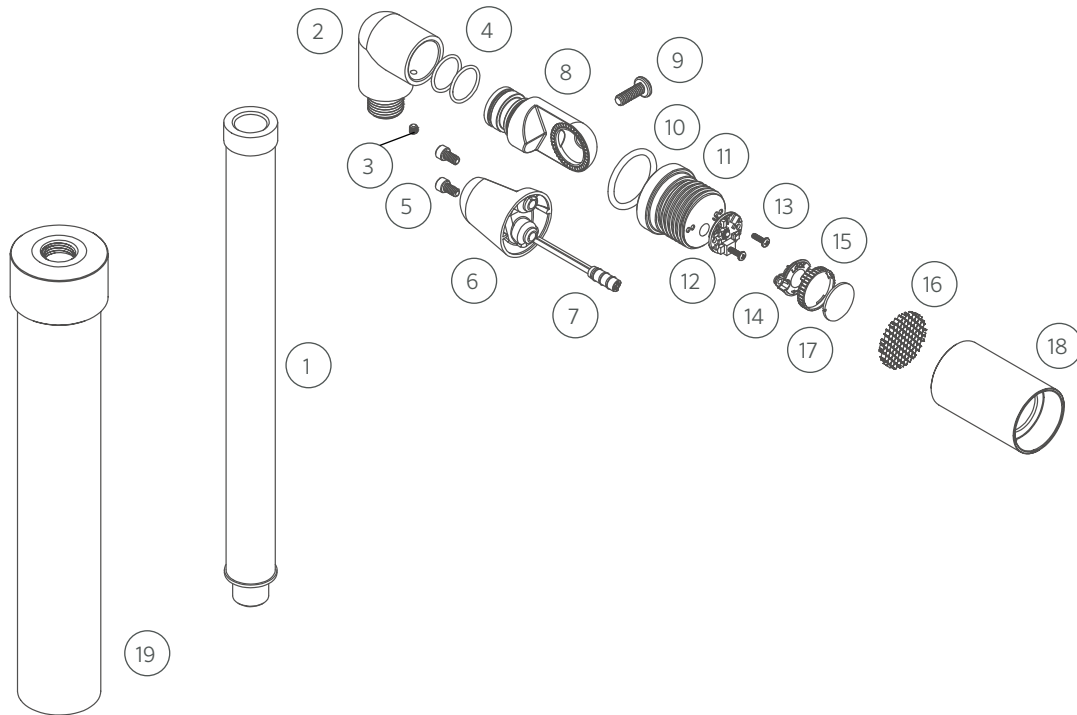
ITEM	DESCRIPTION	PART #
1	Riser Subassembly, 1" Diameter	YY-R-GT-XX*
2	90° Elbow Adapter, Brass	KNAD-050-XX*
3	Screw, #10-32 x 3/16"	250038090000
4	O-Ring for Knuckle	250010280002
5	Screw, #10-24 x 3/8"	250013940000
6	Knuckle Base	†
7	Socket, 10' (3 m)	†
8	Rotating Knuckle Fitting	†
9	Screw, 1/4"-20 x 3/4"	250037910000
8-9	Knuckle Subassembly	KFM-RFK-XX*
10	O-Ring for Body	250010280016
11	Body	†
12	LED Board	See LED Chart

ITEM	DESCRIPTION	PART #	
13	Screw, #4-40 x 3/8"	See LED Chart	
14	Reflector	See LED Chart	
15	Beam Angle Lens	See LED Chart	
16	Hex Baffle, MR-11	250015250000	
17	Lens	†	
18	Shroud	†	
17-18	Lens Cap Assembly	Clear	PP36-LC-XX*
		Frosted	PP36-LF-XX*
19	Post Mount, 1.5" Schedule 40 PVC Conduit	PM-XX*	
NS	Hex Key, 5/64"	250010330000	
NS	Hex Key, 1/16"	250012950000	

NS = Not shown

*XX = Finish code

† This part is not serviceable. Contact Customer Support or a local distributor to order a replacement product.



DESIGNER | ROUND BOARDS WITH BEAM ANGLE LENSES, 1/3 LED

2nd Gen LED Chart

DESCRIPTION	PART #
LED Replacement Kits (Board, Reflector, Screws, Beam Angle Lenses)	
1 LED Up Light Kit (2700K)	DKIT-1LED-W-RD-OP
1 LED Up Light Kit (3000K)	DKIT-1LED-S-RD-OP
3 LED Up Light Kit (2700K)	DKIT-3LED-W-RD-OP
3 LED Up Light Kit (3000K)	DKIT-3LED-S-RD-OP
ZD 1 LED Up Light Kit (2700K)	DKIT-ZD-1LED-W-RD-OP
ZD 1 LED Up Light Kit (3000K)	DKIT-ZD-1LED-S-RD-OP
ZD 3 LED Up Light Kit (2700K)	DKIT-ZD-3LED-W-RD-OP
ZD 3 LED Up Light Kit (3000K)	DKIT-ZD-3LED-S-RD-OP
ZD 3 LED T Up Light Kit (TURTLE)	DKIT-ZD-3LED-T-RD-OP
ZDC 3 LED Kit, Medium	DKIT-ZDC-3LED-RGBW-MD-OP
Reflectors	
1 LED Reflector	770000
3 LED Reflector	770700
ZDC 3 LED Reflector, Medium	250022050000
Screws	
1 LED/3 LED Screw, #4-40 x 3/8"	762400