

DESIGNER | MODERN PATH LIGHT | M-PJ

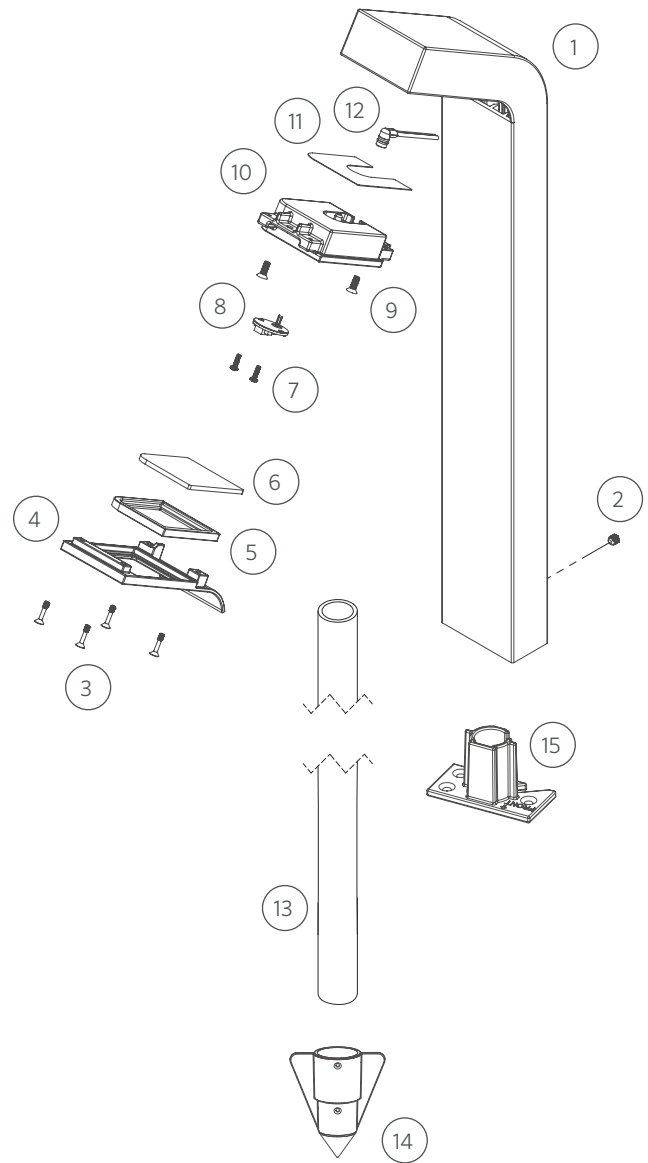
Replacement Parts

ITEM	DESCRIPTION	PART #
1	Riser Assembly	†
2	Screw, ¼"-20 x ¼"	250015320000
3	Screw, #6-32 x ⅝"	250028520000
4	Faceplate	†
3-4	Faceplate Assembly	MPJFPXX*
5	Gasket	250028730000
6	Lens	250028740000
7	Screw	See LED Chart
8	LED Board	See LED Chart
9	Screw, #8-32 x 7/16"	250024690000
10	LED Housing	†
11	Thermal Pad	†
12	Socket, 10' (3 m)	†
13	Conduit Stake, ¾"	250028770000
14	Conduit Stabilizer	†
13-14	Kit with Stabilizer, ¾" PVC	CSKITMPJ
15	Deck Mount	MPJDMXX*
NS	Hex Key, ⅛"	250013580000

NS = Not shown

*XX = Finish code

† This part is not serviceable. Contact Customer Support or a local distributor to order a new product.



DESIGNER | ROUND BOARDS WITH BEAM ANGLE LENSES, 1/3/6 LED

2nd Gen LED Chart

DESCRIPTION	PART #
LED Replacement Kits (Board, Reflector, Screws, Beam Angle Lenses)	
1 LED Up Light Kit (2700K)	KIT1LEDRDW
3 LED Up Light Kit (2700K)	KIT3LEDRDW
6 LED Up Light Kit (2700K)	KIT6LEDRDW
ZD 1 LED Up Light Kit (2700K)	KITZD1LEDRDW
ZD 3 LED Up Light Kit (2700K)	KITZD3LEDRDW
ZD 6 LED Up Light Kit (2700K)	KITZD6LEDRDW
ZDC 3 LED Kit, Medium	ZDCKITM
ZDC 3 LED Kit, Large	ZDCKITL
Reflectors	
1 LED Reflector	770000
3 LED Reflector	770700
6 LED/9 LED Reflector	771400
ZDC 3 LED Reflector, Medium	250022050000
ZDC 3 LED Reflector, Large	250020690000
Screws	
1 LED/3 LED Screw, #4-40 x 3/8" (Qty Req: 2)	762400
6 LED/9 LED Screw, #4-40 x 7/16" (Qty Req: 3)	250014550000

Beam Angle Lens Chart

DESCRIPTION	PART #
Round Beam Angle Lenses	
1 LED Spot Lens (20°)	770600
1 LED Flood Lens (35°)	1LEDFLENS
1 LED Wide Flood Lens (60°)	1LEDWFLENS
3 LED Spot Lens (20°)	771300
3 LED Flood Lens (35°)	3LEDFLENS
3 LED Wide Flood Lens (60°)	3LEDWFLENS
6 LED/9 LED Spot Lens (20°)	771600
6 LED/9 LED Flood Lens (35°)	9LEDFLENS
6 LED/9 LED Wide Flood Lens (60°)	9LEDWFLENS

1st Gen LED Chart

DESCRIPTION	PART #
LED Replacement Kits (Board, Color Filters, Reflector, Screws)	
1 LED Up Light Kit (3900K)	1LEDULKIT
3 LED Up Light Kit (3900K)	3LEDULKIT
6 LED Up Light Kit (3900K)	6LEDULKIT
ZD 1 LED Up Light Kit (3900K)	ZD1LEDULKIT
ZD 3 LED Up Light Kit (3900K)	ZD3LEDULKIT
ZD 3 LED T Up Light Kit (TURTLE)	ZD3LEDTKIT
ZD 6 LED Up Light Kit (3900K)	ZD6LEDULKIT
Color Filter Lenses Only	
1 LED Color Filter, Amber	770100
1 LED Color Filter, Blue	770101
1 LED Color Filter, Green	770102
3 LED Color Filter, Amber	770800
3 LED Color Filter, Blue	770801
3 LED Color Filter, Green	770802
6 LED/9 LED Color Filter, Amber	771500
6 LED/9 LED Color Filter, Blue	771501
6 LED/9 LED Color Filter, Green	771502
Optics Kits (Color Filters, Reflector, Screws)	
1 LED Optics Kit	1LEDOPTICKIT
3 LED Optics Kit	3LEDOPTICKIT
6 LED/9 LED Optics Kit	9LEDOPTICKIT