

DESIGNER | PATH LIGHTS | MODERN MP-30 PETITE PATH LIGHT

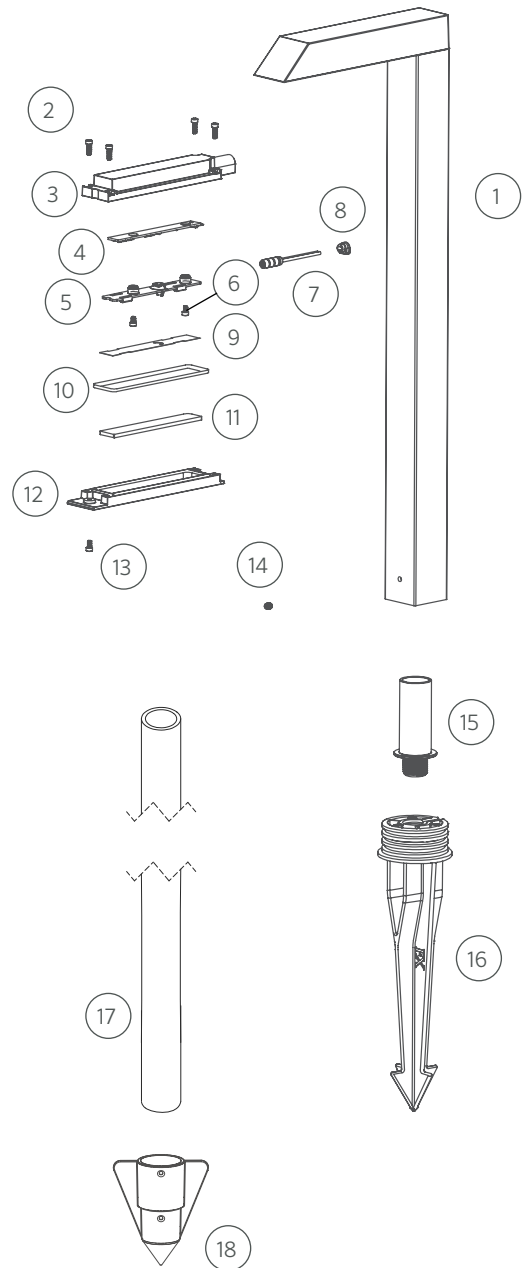
Replacement Parts

ITEM	DESCRIPTION	PART #
1	Riser/Housing Assembly	†
2	Screw, M3 x 0.5 mm, 10 mm	250035360000
3	Housing, Top	†
4	LED Board	See LED Chart
5	Reflector	250035410000
6	Screw, M3 x 0.5 mm, 5 mm	250035380000
7	Socket, 10' (3 m)	752601
8	Cable Alignment Plug	250035510000
9	Diffuser	250015840000
10	Gasket	250035330000
11	Lens	250035340000
12	Housing, Bottom	†
13	Screw, M3 x 0.5 mm, 6 mm	250035500000
10-13	Faceplate Assembly	MP30-LF-XX*
14	Screw, M5 x 0.8 mm, 6 mm	250035880000
15	Adapter, 3/4" SCH 40 to 1/2"-14 NPSM	250035490000
16	Large Slot Spike	250015840000
17	Conduit Stake, 3/4" SCH 40	250028770000
18	Conduit Stabilizer	†
17-18	Conduit and Stabilizer Kit	CS-KIT-MPJ
NS	Hex Key, 2.5 mm, Short	250038350000

NS = Not shown

*XX = Finish code

† This part is not serviceable. Contact Customer Support or a local distributor to order a replacement product.



DESIGNER | RECTANGULAR LED BOARD REPLACEMENT

LED Chart

DESCRIPTION	PART #
1 LED (2700K), Horizontal Pin	755903**
1 LED (3900K), Horizontal Pin	755904**
1 LED, Zoning/Dimming (2700K)	755905**
1 LED, Zoning/Dimming (3900K)	755906**
1 LED, Zoning/Dimming (TURTLE)	755909
ZDC Linear Board, Horizontal Pins, Amber	ZDC-KIT-R**

***Includes LED board only*