

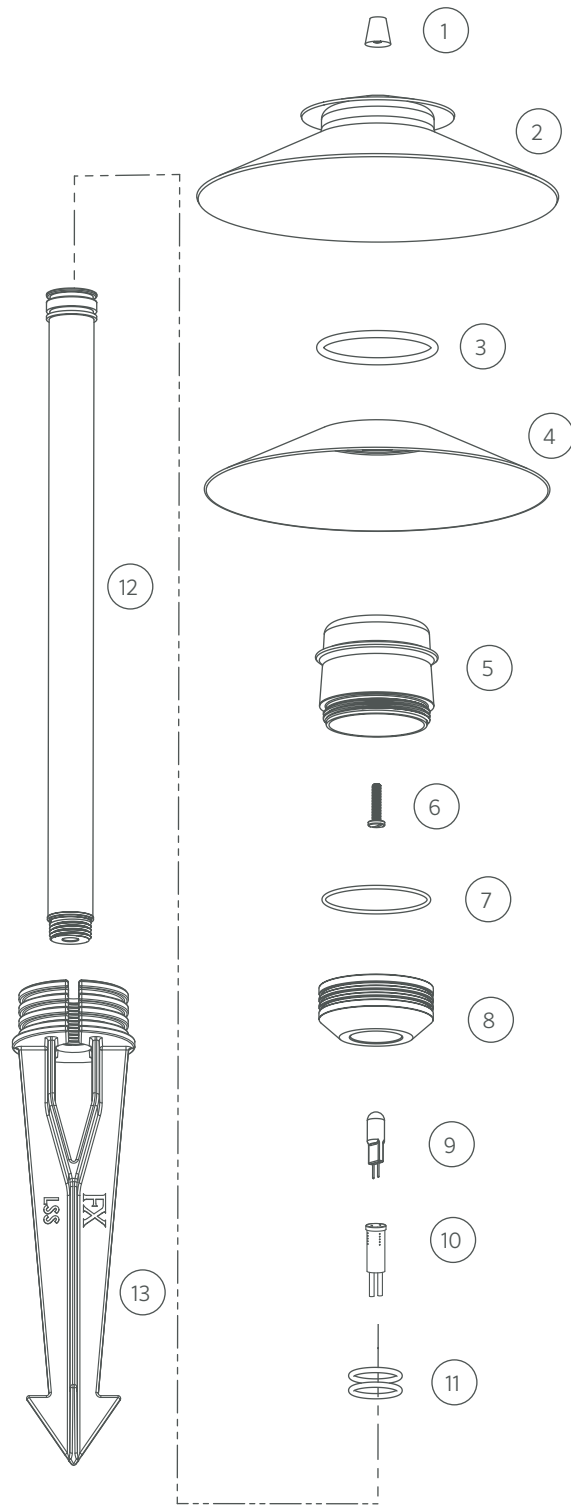
STANDARD | PATH LIGHT | DM-A

Replacement Parts

ITEM	DESCRIPTION	CATALOG #
1	Cap Nut	-
2	Top and Shade	-
3	O-Ring	250010280011
4	Reflector	754900
5	Lens	753501
6	Screw, #8-32 x 3/4"	250012320000
7	O-Ring	250010280009
8	Reducer	2500273900XX*
9	12V Lamp	See Lamp Chart, p. 137-139
10	Socket, G4	754601
11	O-Ring	250010280004
12	Riser Assembly	YYRSPXX*
13	Long Slot Spike (LSS)	250015840000
2-8	Top Assembly	DMATAXX* [§]
3-8	Lens Assembly	DMLA

* YY = Riser height in inches, XX = Finish code

[§] Not interchangeable with CA LED Top Assembly



STANDARD | PATH LIGHT | DM-A

Top Assembly Replacement Parts

ITEM	DESCRIPTION	CATALOG #
1	Cap Nut, Brass	2500123000XX*
2	Shade, Copper	2500124500XX*
3	Top, Copper	-
4	O-Ring	250010280011
5	Reflector, White	754900
6	Lens	753500
7	Screw, #8-32 x 3/4"	250018780000
8	Reflector, Chrome	-
9	Screw, #4 x 3/8"	250019230000
10	O-Ring	250010280032
8-9	Grande Cone Kit	GCONEKIT

* XX = Powder coat color code

