

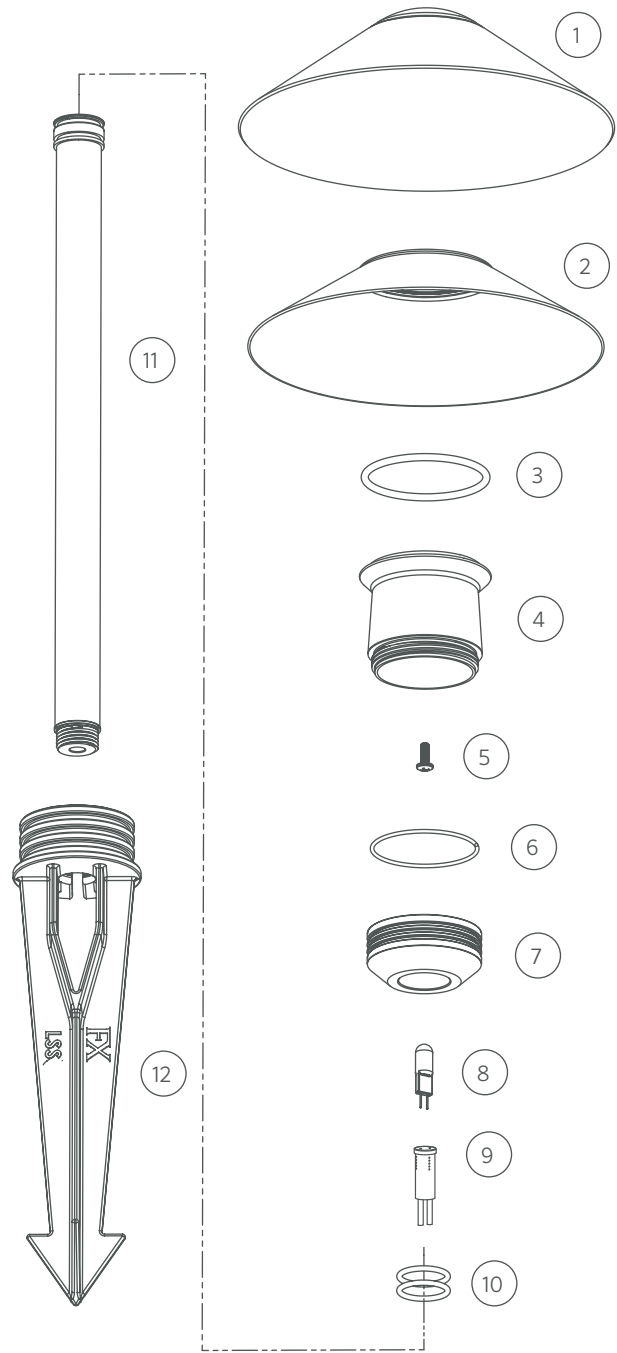
DESIGNER | PATH LIGHT | CA-A

Replacement Parts

ITEM	DESCRIPTION	CATALOG #
1	Top and Cap	-
2	Reflector, White	755100
3	O-Ring	250010280012
4	Lens	753401
5	Screw, #8-32 x 7/16"	750103
6	O-Ring	250010280009
7	Reducer	2500273900XX
8	Lamp, G4 Bi-Pin	See Lamp Chart, p. 137-139
9	Socket, G4	754601
10	O-Ring	250010280004
11	Riser Subassembly	YYRSPXX*
12	Long Slot Spike (LSS)	250015840000
1-7	Top Assembly	CAATAXX* [§]
2-7	Lens Assembly	CACBCVQFLA

* YY = Riser height in inches, XX = Finish code

[§] Not interchangeable with CA LED Top Assembly



DESIGNER | PATH LIGHT | CA-A

Top Assembly Replacement Parts

ITEM	DESCRIPTION	CATALOG #
1	Top, Copper	2500125500XX*
2	O-Ring	250010280001
3	Cap, Brass	-
4	O-Ring	250010280012
5	Reflector, White	755100
6	Lens	753400
7	Screw, #8-32 x 7/16"	750103
8	Reflector, Chrome	-
9	Screw, #4 x 3/8"	-
10	O-Ring	250010280032
8-9	Grande Cone Kit	GCONEKIT

* XX = Finish code

