

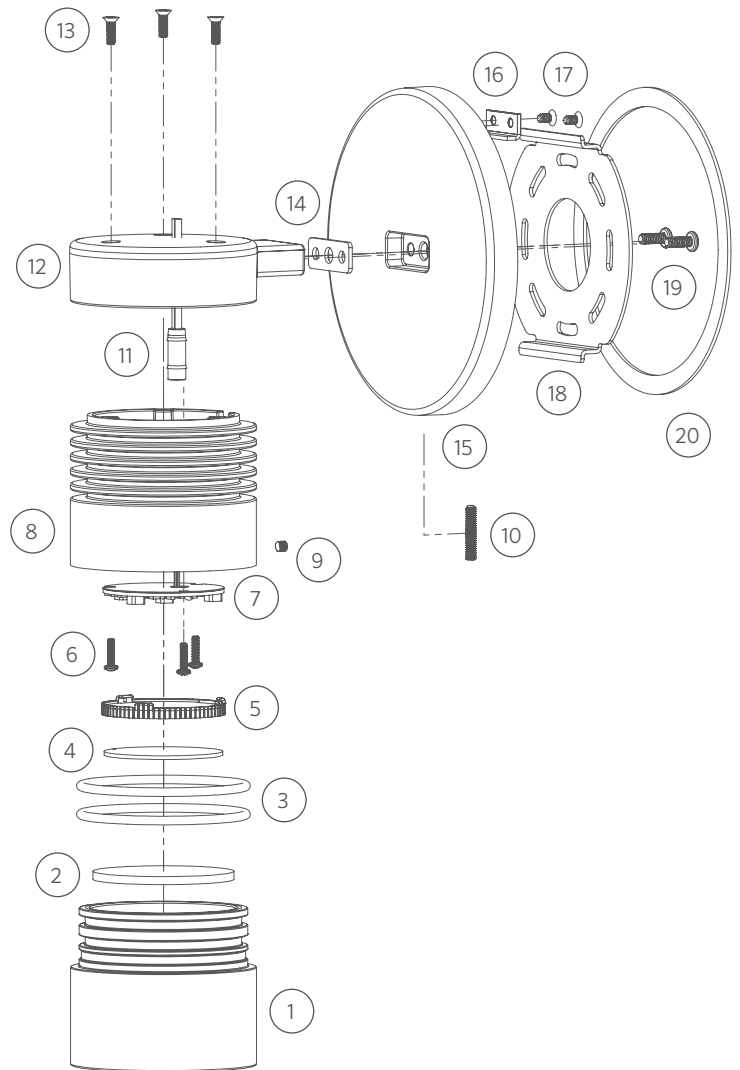
Replacement Parts

ITEM	DESCRIPTION	PART #	
1	Shroud	†	
2	Lens	†	
3	O-Ring	250010280030	
1-3, 9	Lens Cap Assembly	Clear	PS-LC-XX*
		Frosted	PS-LF-XX*
4	Reflector	See LED Chart	
5	Beam Angle Lens	See LED Chart	
6	Screw	See LED Chart	
7	LED Board	See LED Chart	
8	Body	†	
9	Screw, #8-32 x 3/16"	250012760000	
10	Screw, #8-32 x 7/8"	250025100000	
11	Socket, 10' (3 m)	752601	
12	Cap	†	
13	Screw, #6 -32 x 1/4"	250014810000	
14	Stamped Gasket	250028150000	
15	Wall Plate	†	
16	Latch, Wall Plate, Sconce	250025070000	
17	Screw, #8-32 x 7/16"	750103	
18	Mounting Plate	250027760000	
19	Screw, #8-32 x 7/8"	250025100000	
20	Gasket	250027750000	
NS	Hex Key, 5/64"	250010330000	

NS = Not shown

*XX = Finish code

† = This part is not serviceable. Contact Customer Support or a local distributor to order a replacement product.



DESIGNER | ROUND BOARDS WITH BEAM ANGLE LENSES, 1/3/6/9 LED

2nd Gen LED Chart

DESCRIPTION	PART #
LED Replacement Kits (Board, Reflector, Screws, Beam Angle Lenses)	
1 LED Up Light Kit (2700K)	KIT-1LED-RD-W
3 LED Up Light Kit (2700K)	KIT-3LED-RD-W
6 LED Up Light Kit (2700K)	KIT-6LED-RD-W
9 LED Up Light Kit (2700K)	KIT-9LED-RD-W
ZD 1 LED Up Light Kit (2700K)	KIT-ZD-1LED-RD-W
ZD 3 LED Up Light Kit (2700K)	KIT-ZD-3LED-RD-W
ZD 6 LED Up Light Kit (2700K)	KIT-ZD-6LED-RD-W
ZD 9 LED Up Light Kit (2700K)	KIT-ZD-9LED-RD-W
ZDC 3 LED Kit, Medium	ZDC-KIT-M
ZDC 3 LED Kit, Large	ZDC-KIT-L
Reflectors	
1 LED Reflector	770000
3 LED Reflector	770700
6 LED/9 LED Reflector	771400
ZDC 3 LED Reflector, Medium	250022050000
ZDC 3 LED Reflector, Large	250020690000
Screws	
1 LED/3 LED Screw, #4-40 x 3/8" (Qty Req: 2)	762400
6 LED/9 LED Screw, #4-40 x 7/16" (Qty Req: 3)	250014550000

Beam Angle Lens Chart

DESCRIPTION	PART #
Round Beam Angle Lenses	
1 LED Spot Lens (20°)	770600
1 LED Flood Lens (35°)	1LED-FL-LENS
1 LED Wide Flood Lens (60°)	1LED-WFL-LENS
3 LED Spot Lens (20°)	771300
3 LED Flood Lens (35°)	3LED-FL-LENS
3 LED Wide Flood Lens (60°)	3LED-WFL-LENS
6 LED/9 LED Spot Lens (20°)	771600
6 LED/9 LED Flood Lens (35°)	9LED-FL-LENS
6 LED/9 LED Wide Flood Lens (60°)	9LED-WFL-LENS

1st Gen LED Chart

DESCRIPTION	PART #
LED Replacement Kits (Board, Color Filters, Reflector, Screws)	
1 LED Up Light Kit (3900K)	1LED-UL-KIT
3 LED Up Light Kit (3900K)	3LED-UL-KIT
6 LED Up Light Kit (3900K)	6LED-UL-KIT
9 LED Up Light Kit (3900K)	9LED-UL-KIT
ZD 1 LED Up Light Kit (3900K)	ZD-1LED-UL-KIT
ZD 3 LED Up Light Kit (3900K)	ZD-3LED-UL-KIT
ZD 3 LED T Up Light Kit (TURTLE)	ZD-3LED-T-KIT
ZD 6 LED Up Light Kit (3900K)	ZD-6LED-UL-KIT
ZD 9 LED Up Light Kit (3900K)	ZD-9LED-UL-KIT
Color Filter Lenses Only	
1 LED Color Filter, Amber	770100
1 LED Color Filter, Blue	770101
1 LED Color Filter, Green	770102
3 LED Color Filter, Amber	770800
3 LED Color Filter, Blue	770801
3 LED Color Filter, Green	770802
6 LED/9 LED Color Filter, Amber	771500
6 LED/9 LED Color Filter, Blue	771501
6 LED/9 LED Color Filter, Green	771502
Optics Kits (Color Filters, Reflector, Screws)	
1 LED Optics Kit	1LED-OPTICS-KIT
3 LED Optics Kit	3LED-OPTICS-KIT
6 LED/9 LED Optics Kit	9LED-OPTICS-KIT