

DESIGNER | WALL SCONCE | NL-UD

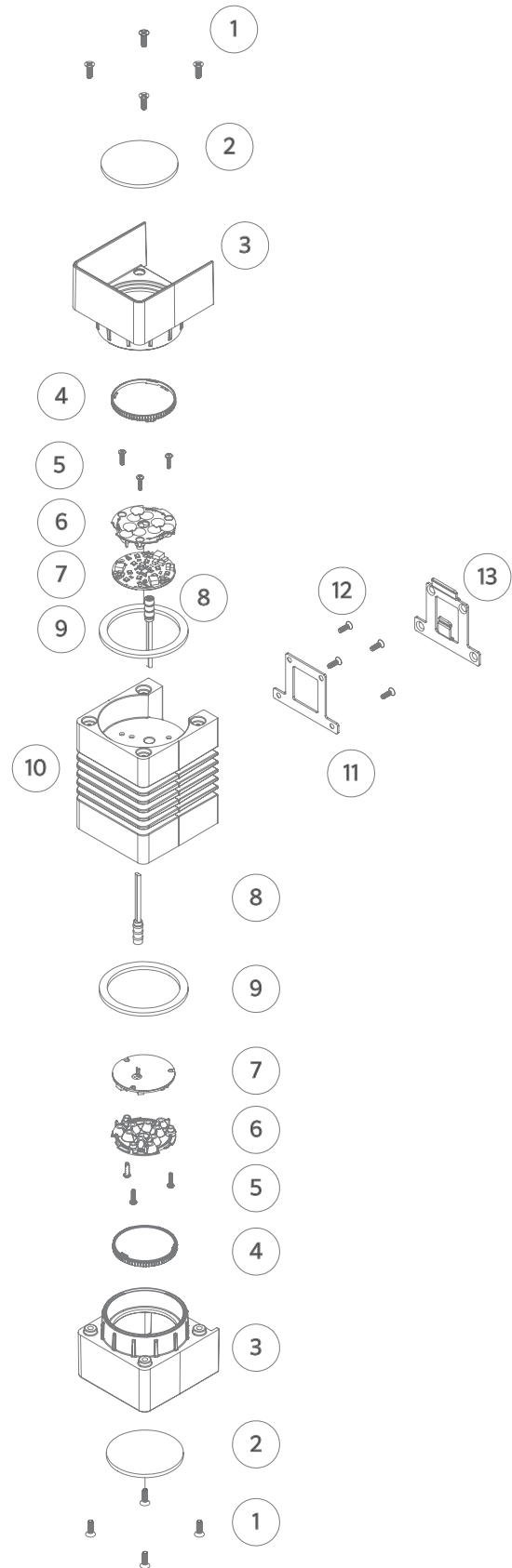
Replacement Parts

ITEM	DESCRIPTION	PART #
NS	Sleeve/Cover	NLUDCRXX*
1	Screw, #8-32 x 1/2"	250030030000
2	Lens	†
3	Shroud	†
1-3	Lens Cap Assembly, Clear Lens	NLLCUDXX*
1-3	Lens Cap Assembly, Frosted Lens	NLLFUDXX*
4	Beam Angle Lens	See LED Chart
5	Screws	See LED Chart
6	Reflector	See LED Chart
7	LED Board	See LED Chart
8	Socket, 10' (3 m)	†
9	Gasket	250030000000
10	Housing	†
11	Mounting Bracket	250016740000
12	Screw, #6-32 x 7/16"	250014810000
13	Housing Bracket	250016730000

NS = Not Shown

*XX = Finish Code

† = This part is not serviceable. Contact Customer Support or a local distributor to order a replacement product.



DESIGNER SERIES | ROUND BOARDS WITH BEAM ANGLE LENSES, 1/3/6/9 LED

2nd Gen LED Chart

DESCRIPTION	PART #
LED Replacement Kits (Board, Reflector, Screws, Beam Angle Lenses)	
1 LED Up Light Kit (2700K)	KIT1LEDRDW
3 LED Up Light Kit (2700K)	KIT3LEDRDW
6 LED Up Light Kit (2700K)	KIT6LEDRDW
9 LED Up Light Kit (2700K)	KIT9LEDRDW
ZD 1 LED Up Light Kit (2700K)	KITZD1LEDRDW
ZD 3 LED Up Light Kit (2700K)	KITZD3LEDRDW
ZD 6 LED Up Light Kit (2700K)	KITZD6LEDRDW
ZD 9 LED Up Light Kit (2700K)	KITZD9LEDRDW
ZDC 3 LED Kit, Medium	ZDCKITM
ZDC 3 LED Kit, Large	ZDCKITL
Reflectors	
1 LED Reflector	770000
3 LED Reflector	770700
6 LED/9 LED Reflector	771400
ZDC 3 LED Reflector, Medium	250022050000
ZDC 3 LED Reflector, Large	250020690000
Screws	
1 LED/3 LED Screw, #4-40 x 3/8" (Qty Req: 2)	762400
6 LED/9 LED Screw, #4-40 x 7/16" (Qty Req: 3)	250014550000

Beam Angle Lens Chart

DESCRIPTION	PART #
Round Beam Angle Lenses	
1 LED Spot Lens (20°)	770600
1 LED Flood Lens (35°)	1LEDFLENS
1 LED Wide Flood Lens (60°)	1LEDWFLENS
3 LED Spot Lens (20°)	771300
3 LED Flood Lens (35°)	3LEDFLENS
3 LED Wide Flood Lens (60°)	3LEDWFLENS
6 LED/9 LED Spot Lens (20°)	771600
6 LED/9 LED Flood Lens (35°)	9LEDFLENS
6 LED/9 LED Wide Flood Lens (60°)	9LEDWFLENS

1st Gen LED Chart

DESCRIPTION	PART #
LED Replacement Kits (Board, Color Filters, Reflector, Screws)	
1 LED Up Light Kit (3900K)	1LEDULKIT
3 LED Up Light Kit (3900K)	3LEDULKIT
6 LED Up Light Kit (3900K)	6LEDULKIT
9 LED Up Light Kit (3900K)	9LEDULKIT
ZD 1 LED Up Light Kit (3900K)	ZD1LEDULKIT
ZD 3 LED Up Light Kit (3900K)	ZD3LEDULKIT
ZD 3 LED T Up Light Kit (TURTLE)	ZD3LEDTKIT
ZD 6 LED Up Light Kit (3900K)	ZD6LEDULKIT
ZD 9 LED Up Light Kit (3900K)	ZD9LEDULKIT
Color Filter Lenses Only	
1 LED Color Filter, Amber	770100
1 LED Color Filter, Blue	770101
1 LED Color Filter, Green	770102
3 LED Color Filter, Amber	770800
3 LED Color Filter, Blue	770801
3 LED Color Filter, Green	770802
6 LED/9 LED Color Filter, Amber	771500
6 LED/9 LED Color Filter, Blue	771501
6 LED/9 LED Color Filter, Green	771502
Optics Kits (Color Filters, Reflector, Screws)	
1 LED Optics Kit	1LEDOPTICKIT
3 LED Optics Kit	3LEDOPTICKIT
6 LED/9 LED Optics Kit	9LEDOPTICKIT