

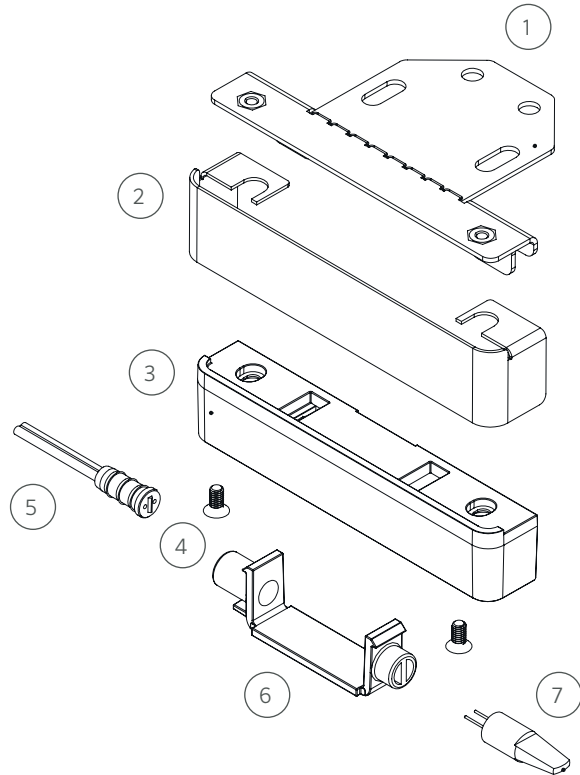
STANDARD | LEDGE LIGHT | LD

Replacement Parts

ITEM	DESCRIPTION	PART #
1	Mounting Bracket	†
2	Faceplate	†
3	Body	†
4	Screw, M4 x 0.7 mm, 6 mm	†
2, 4	Faceplate Assembly	LD-FP-XX*
5	Socket, 10' (3 m)	754601
6	Lens	250030950000SP*
7	Lamp, G4	See Lamp Chart

*XX = Finish code

† This part is not serviceable. Contact Customer Support or a local distributor to order a replacement product.



LAMPS | G4 LAMPS

G4 LED Lamp Chart

LUMENS / VA	CCT	PART #
76 lm / 1.1 VA	2700K	G4-LED-10-W
123 lm / 1.7 VA	2700K	G4-LED-20-W
170 lm / 2.6 VA	2700K	G4-LED-35-W
76 lm / 1.1 VA	3000K	G4-LED-10-S
123 lm / 1.7 VA	3000K	G4-LED-20-S
170 lm / 2.6 VA	3000K	G4-LED-35-S

