

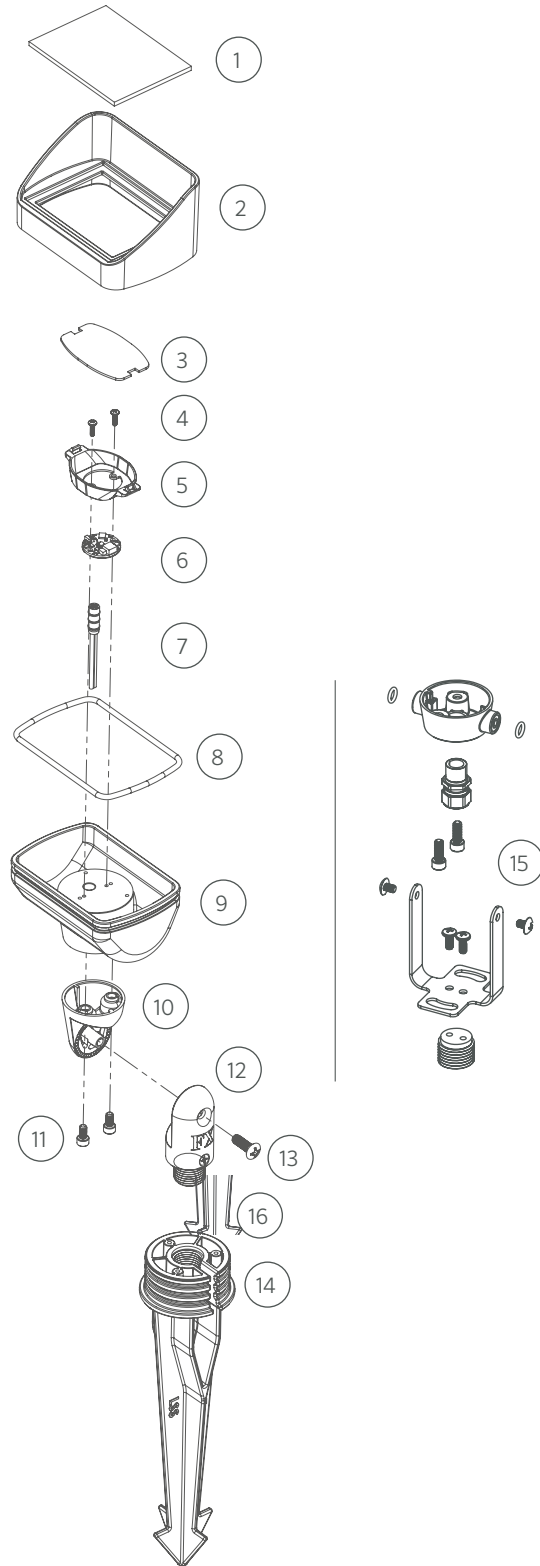
Replacement Parts

ITEM	DESCRIPTION	PART #
1	Lens	†
2	Shroud	†
1-2, 8	Lens Cap Assembly	LCLCXX*
3	Diffuser Lens	See LED Chart
4	Screw	See LED Chart
5	Reflector	See LED Chart
6	LED Board	See LED Chart
7	Socket, 10' (3 m)	†
8	O-Ring	250028620000
9	Body	†
10	Knuckle Base	†
11	Screw, #10-24 x 3/8"	250013940000
12	Knuckle	†
13	Screw, 1/4"-20 x 3/4"	250010290000
12-13	Knuckle Assembly	KFM050XX*
14	Large Slot Spike	250015840000
15	Bracket Mount Assembly	BM050XX**
16	Lock Ring (Order in Qty 25)	250030410000SP

*XX = Finish code

**XX = Finish code, powder-coat finish options only

† = This part is not serviceable. Contact Customer Support or a local distributor to order a complete product.



DESIGNER | ROUND BOARDS WITH BEAM ANGLE LENSES, 1/3/6/9 LED

2nd Gen LED Chart

DESCRIPTION	PART #
LED Replacement Kits (Board, Reflector, Screws, Beam Angle Lenses)	
1 LED Up Light Kit (2700K)	KIT1LEDRDW
3 LED Up Light Kit (2700K)	KIT3LEDRDW
6 LED Up Light Kit (2700K)	KIT6LEDRDW
9 LED Up Light Kit (2700K)	KIT9LEDRDW
ZD 1 LED Up Light Kit (2700K)	KITZD1LEDRDW
ZD 3 LED Up Light Kit (2700K)	KITZD3LEDRDW
ZD 6 LED Up Light Kit (2700K)	KITZD6LEDRDW
ZD 9 LED Up Light Kit (2700K)	KITZD9LEDRDW
ZDC 3 LED Kit, Medium, PB	ZDCKITM
ZDC 3 LED Kit, Large, LC	ZDCKITL
Reflectors	
1 LED Reflector, White, PB/LC	763000
3 LED Reflector, White, PB/LC	763100
6 LED/9 LED Reflector, White, LC	250016450000
Diffusers	
1/3 LED Diffuser Lens, PB/LC	250034830000SP
6/9 LED Diffuser Lens, LC	250034840000SP
Screws	
1 LED/3 LED Screw, #4-40 x 3/8" (Qty Req: 2)	762400
6 LED/9 LED Screw, #4-40 x 7/16" (Qty Req: 3)	250014550000

1st Gen LED Chart

DESCRIPTION	PART #
LED Replacement Kits (Board, Color Filters, Reflector, Screws)	
1 LED Up Light Kit (3900K)	1LEDULKIT
1 LED Up Light Kit (3900K)	3LEDULKIT
1 LED Up Light Kit (3900K)	6LEDULKIT
1 LED Up Light Kit (3900K)	9LEDULKIT
ZD 1 LED Up Light Kit (3900K)	ZD1LEDULKIT
ZD 3 LED Up Light Kit (3900K)	ZD3LEDULKIT
ZD 3 LED T Up Light Kit (TURTLE)	ZD3LEDTKIT
ZD 6 LED Up Light Kit (3900K)	ZD6LEDULKIT
ZD 9 LED Up Light Kit (3900K)	ZD9LEDULKIT
ZDC LED Up Light Kit (3900K)	ZDCKITL

For Rectangular Lenses and Optics

Reflectors	
1 LED Reflector, White, PB/LC	763000
3 LED Reflector, White, PB/LC	763100
6 LED/9 LED Reflector, White, LC	250016450000
Diffusers	
1/3 LED Diffuser Lens, PB/LC	250019260000
6/9 LED Diffuser Lens, LC	250019270000

For Round Lenses and Filters

Reflectors	
ZDC 3 LED Reflector, Medium, PB	250022050000
ZDC 3 LED Reflector, Large, LC	250020690000
Diffusers	
ZDC 3 LED Diffuser, Medium, PB	3LEDWFLENS
ZDC 3 LED Diffuser, Large, LC	9LEDWFLENS

Color Filter Lenses

1 LED/3 LED Color Filter, Amber	763200
1 LED/3 LED Color Filter, Blue	763201
1 LED/3 LED Color Filter, Green	763202
6 LED/9 LED Color Filter, Amber	250016560000
6 LED/9 LED Color Filter, Blue	250016560001
6 LED/9 LED Color Filter, Green	250016560002

Screws	
1 LED/3 LED Screw, #4-40 x 3/8" (Qty Req: 2)	762400
6 LED/9 LED Screw, #4-40 x 7/16" (Qty Req: 3)	250014550000