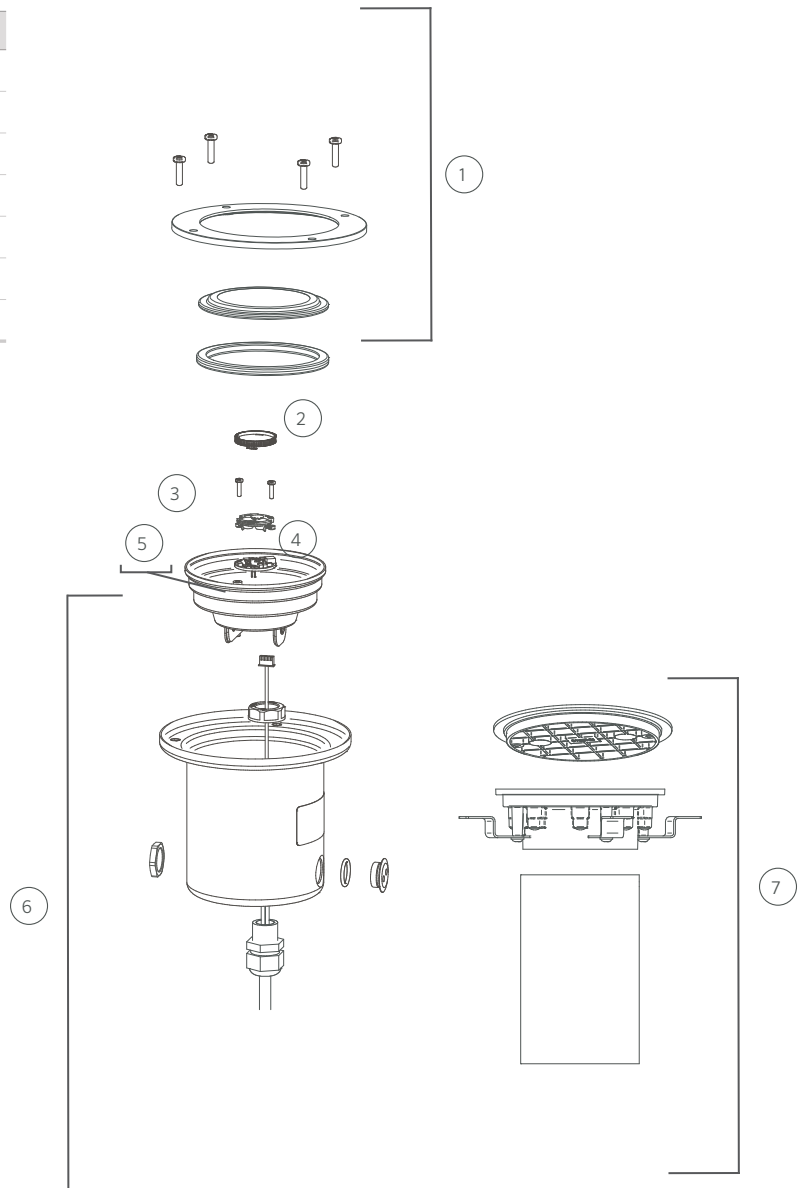


Replacement Parts

ITEM	DESCRIPTION	CATALOG #
1	Faceplate Assembly	KTFPXX*
2	Beam Angle Lens	See LED Chart
3	Screw	See LED Chart
4	Reflector	See LED Chart
5	LED Board	See LED Chart
6	Housing Assembly	†
7	Mounting Kit	MKKT

*XX = Finish code

† This part is not serviceable. Contact Customer Support or a local distributor to order a new product.



DESIGNER SERIES | ROUND BOARDS WITH BEAM ANGLE LENSES, 1/3 LED

2nd Gen LED Chart

DESCRIPTION	PART #
LED Replacement Kits (Board, Reflector, Screws, Beam Angle Lenses)	
1 LED Up Light Kit (2700K)	KIT1LEDRDW
3 LED Up Light Kit (2700K)	KIT3LEDRDW
ZD 1 LED Up Light Kit (2700K)	KITZD1LEDRDW
ZD 3 LED Up Light Kit (2700K)	KITZD3LEDRDW
ZDC 3 LED Kit, Medium	ZDCKITM
Reflectors	
1 LED Reflector	770000
3 LED Reflector	770700
ZDC 3 LED Reflector, Medium	250022050000
Screws	
1 LED/3 LED Screw, #4-40 x 3/8" (Qty Req: 2)	762400

Beam Angle Lens Chart

DESCRIPTION	PART #
Round Beam Angle Lenses	
1 LED Spot Lens (20°)	770600
1 LED Flood Lens (35°)	1LEDFLENS
1 LED Wide Flood Lens (60°)	1LEDWFLENS
3 LED Spot Lens (20°)	771300
3 LED Flood Lens (35°)	3LEDFLENS
3 LED Wide Flood Lens (60°)	3LEDWFLENS

1st Gen LED Chart

DESCRIPTION	PART #
LED Replacement Kits (Board, Color Filters, Reflector, Screws)	
1 LED Up Light Kit (3900K)	1LEDULKIT
3 LED Up Light Kit (3900K)	3LEDULKIT
ZD 1 LED Up Light Kit (3900K)	ZD1LEDULKIT
ZD 3 LED Up Light Kit (3900K)	ZD3LEDULKIT
ZD 3 LED T Up Light Kit (TURTLE)	ZD3LEDTKIT
Color Filter Lenses Only	
1 LED Color Filter, Amber	770100
1 LED Color Filter, Blue	770101
1 LED Color Filter, Green	770102
3 LED Color Filter, Amber	770800
3 LED Color Filter, Blue	770801
3 LED Color Filter, Green	770802
Optics Kits (Color Filters, Reflector, Screws)	
1 LED Optics Kit	1LEDOPTICKIT
3 LED Optics Kit	3LEDOPTICKIT