



PROJECT _____

CATALOG # _____

TYPE _____

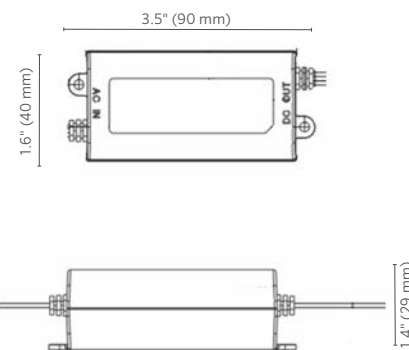
NOTES _____

ST-HV TRANSFORMER

16 W universal voltage step-down transformer

Quick Facts

- Input voltage: 90–264 VAC
- Output: 12 VAC
- Load: 16 W
- Compact size
- Fully isolated plastic case



ST-HV SPECIFICATIONS

Output

Power	16 W
Input Primary	90–264 VAC
Input Amperage Primary	0.5 A at 120 VAC, 0.3 A at 230 VAC
Output Voltage Secondary	12 VAC
Maximum Open Circuit Volts	12 VAC
Class	2

FX Luminaire

FX Luminaire is an industry-leading manufacturer of landscape and architectural lighting products. We focus on the advancement of LED technology and digital lighting control with zoning, dimming, and color adjustment capabilities. We offer a full spectrum of specification-driven lighting fixtures that can be utilized to create elegant, cutting-edge landscape lighting systems for commercial or residential applications. Our products are available exclusively via our extensive professional distributor network.

Materials

94V-0 flame retardant plastic housing

Power

Input: 90–264 VAC
Output: 12 VAC

Wiring

Input wiring:
Length: 6" (152 mm)
Size: 18 AWG (1 mm)

Output wiring:
Length: 6"
Size: 20 AWG (0.8 mm)

Ambient Operating Temperature

-22°F to 158°F (-30°C to 70°C)

Weight

0.22 lbs. (0.1 kg)

Sustainability

Innovation meets conservation in the design and manufacturing of our products. Where we can, we use recycled materials while maintaining superior functionality. Our LED products provide high-quality light at optimal energy efficiency, lifespan, and durability.

Installation Requirements

Designed for installation on a vertical surface in the upright position only.

Warranty

10-year limited warranty

Listings



ST-HV ORDERING INFORMATION

Item

ST-HV

EXAMPLE TRANSFORMER CONFIGURATION: ST-HV

© 2020 Hunter Industries™. Hunter, FX Luminaire, all related logos, and all other trademarks are property of Hunter Industries, registered in the U.S. and other countries.