


---

PROJECT

---

CATALOG #

---

TYPE

---

NOTES

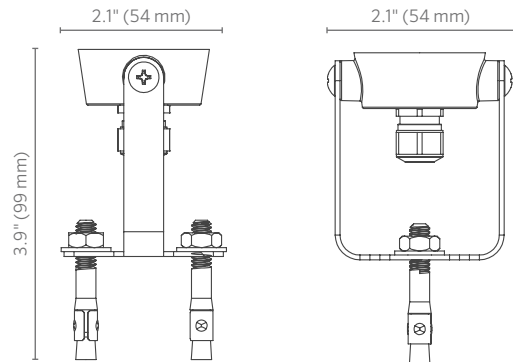
---

## Bracket Mount

Stainless steel metal brackets for surface-mounting up or down lights.

### Quick Facts

- Stainless steel bracket and hardware
- TGIC powder-coat finishes on knuckle base
- Includes ½" (13 mm) thread and anchor bolts
- Strain relief connector



# Bracket Mount SPECIFICATIONS

Model	Option	Finish			
BM	050 ½" (13 mm) thread	BZ Bronze Metallic		WG White Gloss	
		DG Desert Granite		FW Flat White	
		WI Weathered Iron		AL Almond	
		FB Black		SV Silver	
		SB Sedona Brown			

EXAMPLE CONFIGURATION: BM-050-BZ

BM - 050 -

Model Number	Description
BM-050-XX**	Bracket Mount with Knuckle Base
250026850000	Concrete Anchor Bolts
250026820000	Stainless Steel Bracket
250026840000	Strain Relief Connector

\*\*XX = Finish code for knuckle base