

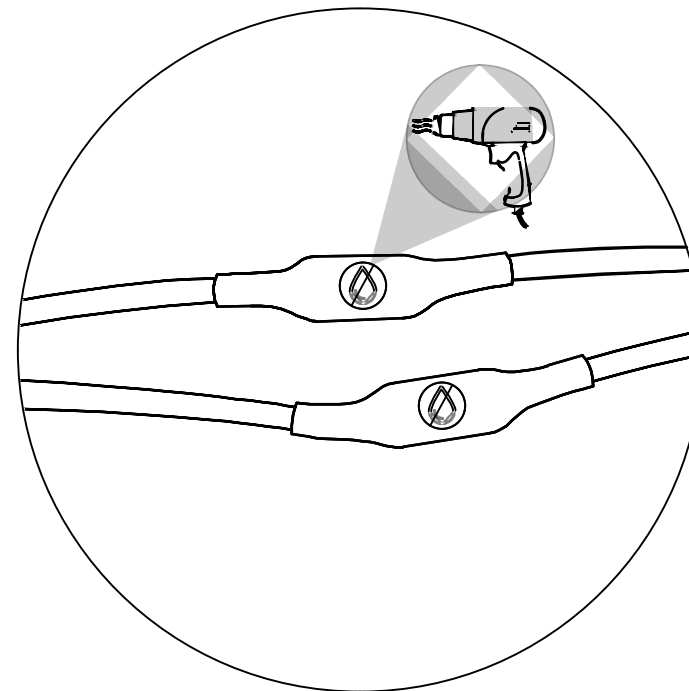
WOOD FENCE SECTION

LEGEND:

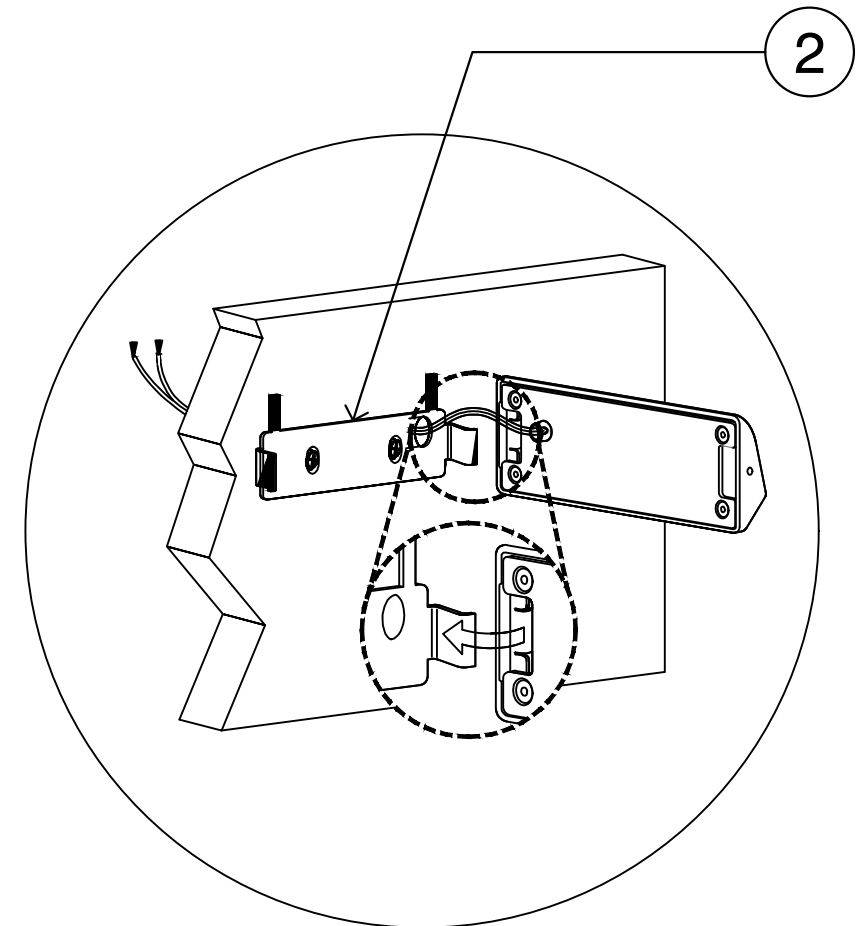
- ① FX LUMINAIRE SF SURFACE-MOUNTED WALL LIGHT
- ② MOUNTING BRACKET
- ③ WOOD FENCE WALL
- ④ POWER FEED
- ⑤ JUNCTION BOX AND CONDUIT (OPTIONAL)
- ⑥ HEAT SHRINK WIRE CONNECTION PER MANUFACTURER

NOTES:

1. INSTALLATION TO BE COMPLETED IN ACCORDANCE WITH MANUFACTURER'S SPECIFICATIONS
2. FIXTURE REQUIRES 10-15 VOLTS AC/DC AND 11-15 VOLTS FOR ZDC OPTION
3. INSTALL TO A UL 1838 (IEC/EN 61347) LISTED TRANSFORMER



WIRING CONNECTION DETAIL



MOUNTING DETAIL