

1. Caution and Safety Instructions

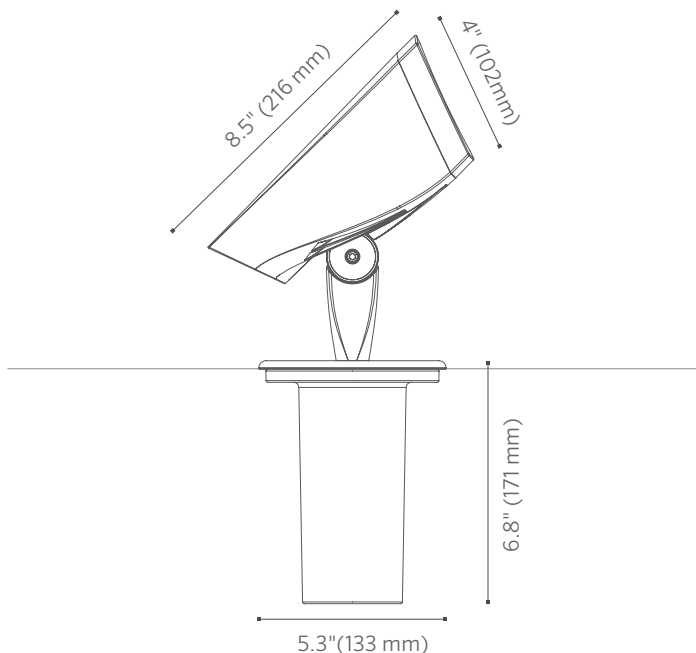


- Qualified personnel must install and/or service this product in a manner consistent with its intended use and in compliance with the National Electrical Code, Canadian Electrical Code, and/or all local and provincial codes.
- Follow all product label information and installation instructions.
- Turn off power at the fuse or circuit breaker before installation or servicing.
- The use of damaged components may cause an unsafe condition and void the product warranty.
- Do not block light emanating from this product in whole or part.
- Never operate the fixture with a missing or damaged lens. Clean the lens on a regular basis.
- The entire fixture may become extremely hot. Do not touch the hot lens or fixture body. Do not touch the light source at any time.
- Keep all O-rings and sealing surfaces clean during installation and servicing; failure to do this may lead to premature failure of the product.

2. Product Information



- This product is suitable for mounting at grade level.

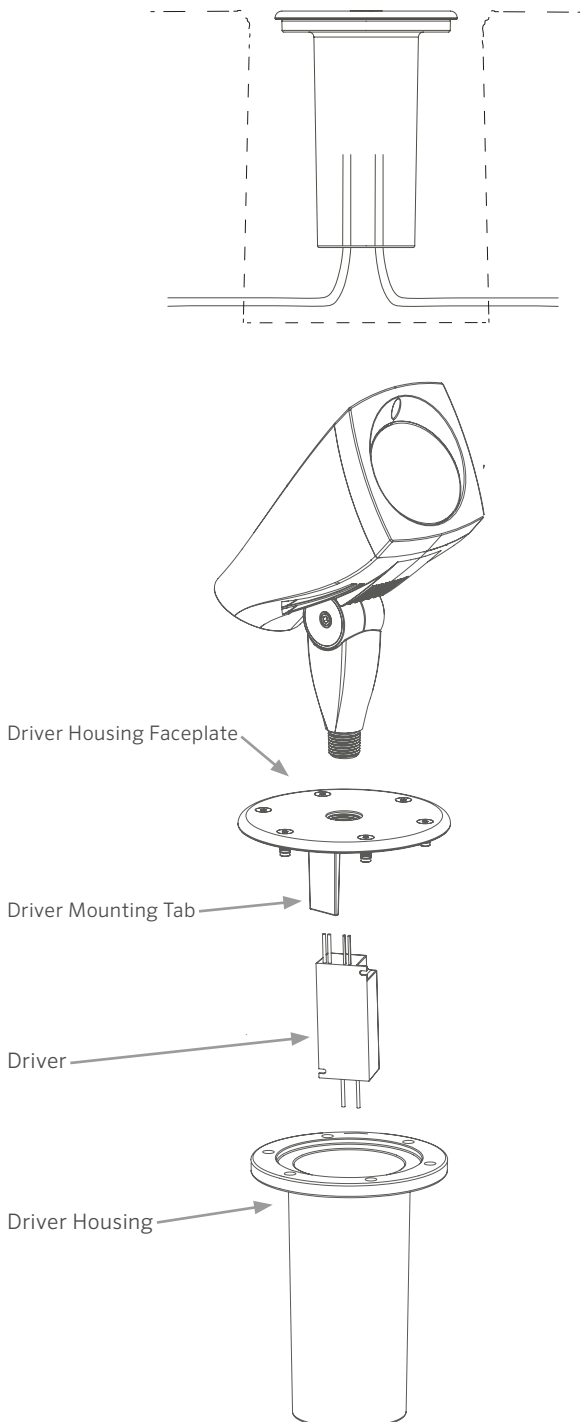


Tools Needed:

- Installation: $\frac{7}{8}$ " , $\frac{5}{32}$ " , and $\frac{5}{64}$ " Allen keys
- Servicing: $\frac{7}{64}$ " Allen key and #1 Phillips screwdriver

3. Product Installation

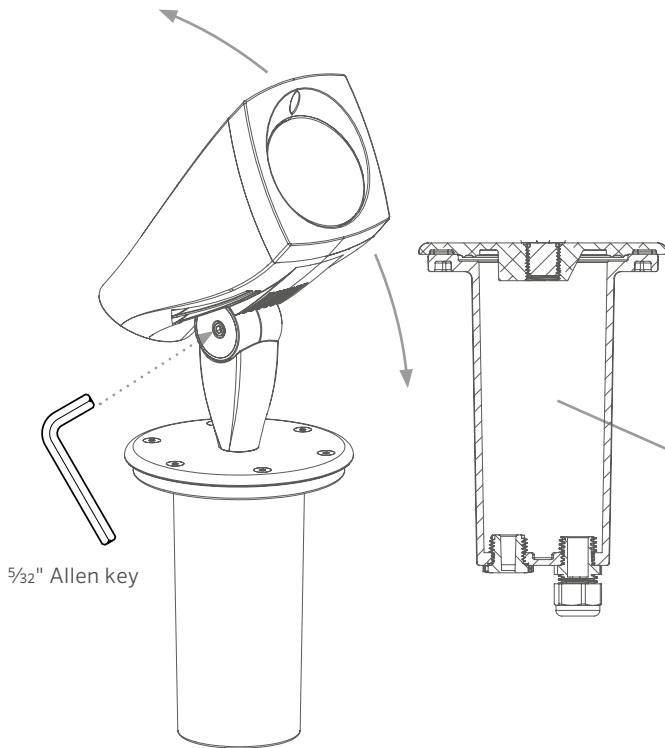
Diagrams



1. Secure the driver housing in-ground in accordance with local codes and regulations.
2. Connect conduit or cable runs to the bottom of the driver housing with couplings ($\frac{1}{2}$ "-14 NPT, provided by others). Use the provided $\frac{1}{2}$ "-14 NPT plug for unused conduit openings.
3. Add the installation cover onto the driver housing with the provided fasteners to prevent dirt and debris from entering the driver housing.
4. To complete the installation, attach the fixture to the driver housing faceplate. Connect the driver wiring (provided with the fixture) to the fixture using the wiring diagram and approved wire connectors.
5. Use double-sided tape and a zip tie to secure the driver to the driver mounting tab.
6. Tighten the 8-32 x $\frac{1}{2}$ " (13 mm) setscrew using a $\frac{5}{64}$ " Allen key to lock the rotational position of the fixture to the driver housing faceplate.
7. Seal the driver housing compartment using the provided gasket and fasteners (10-24 x $\frac{1}{2}$ " (13 mm) screw) with a $\frac{1}{8}$ " Allen key.

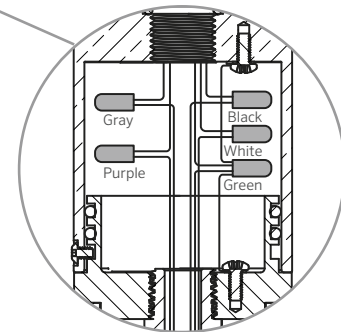
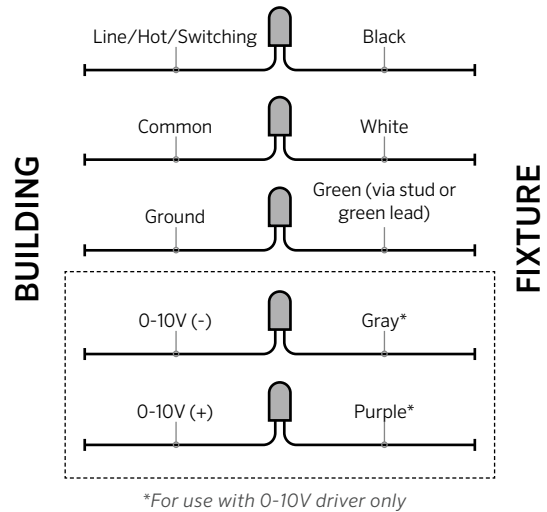
3. Product Installation (continued)

Diagrams



Upon installation, use a 5/32" Allen key to adjust the angle of the fixture.

Wiring Chart

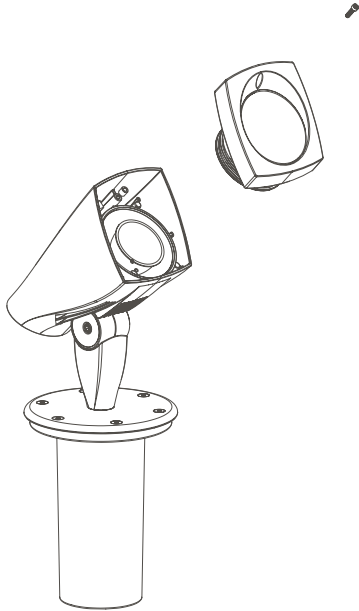


Power Requirements

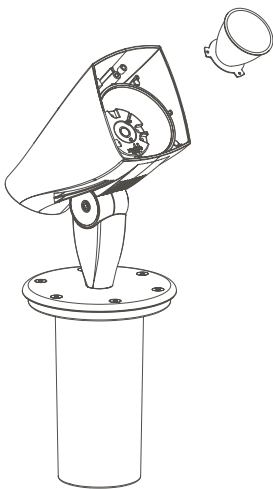
	Standard Voltage (SV)	Universal Voltage (UV)	High Voltage (HV)
Input Power	120V/60Hz	110V to 277V/60Hz	220V to 240V/50Hz
Dimming	Phase	0-10V	0-10V
Number of Wires	3	5	5
	Black, White, Green	Black, White, Green, Purple, Gray	Brown, Blue, Green/Yellow, Black, Gray

4. Repair/Replacement Instructions

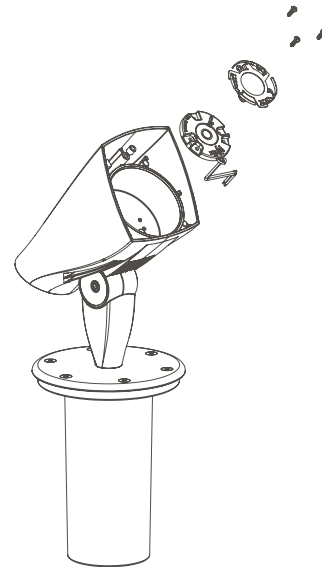
- Standard Optics (20°, 40°, and 60°)



1. Remove the cap by unfastening the 6-32 x ½" (13 mm) screw using a 7/64" Allen key. Then lift the cap outward. Avoid using metal tools while lifting the cap to protect the power coat finish.



2. Twist the reflector optic counterclockwise and pull outward to remove.



3. Unfasten the three LED module screws using a Phillips #1 screwdriver. Remove the reflector adapter ring and LED module.

4. Warranty

STATEMENT OF LIMITED WARRANTY

Hunter Industries Incorporated (“Hunter”) warrants FX Luminaire Line-Voltage Series lighting products to be free of defects in materials or workmanship under normal use for a period of five (5) years from the date of invoice. If a defect in a FX Luminaire product is discovered during the applicable warranty period, Hunter will repair or replace, at its option, the product or the defective part. This limited warranty does not extend to repairs, adjustments, or replacement of FX Luminaire products or parts resulting from misuse, negligence, alteration, modification, tampering, or improper installation and/or maintenance of the product. This warranty extends only to the original installer of the product. If a defect arises in a FX Luminaire product or part during the warranty period, contact the local authorized manufacturer’s representative. Hunter’s obligation to repair or replace its products as set forth above is the sole and exclusive warranty set forth by Hunter. There are no other warranties, expressed or implied, including warranties of merchantability and fitness for a particular purpose. Hunter will not be liable to distributor or any other party in strict liability, tort, contract, or any other manner for damages caused or claimed to be caused as a result of any design or defect in FX Luminaire products, or for any special, incidental, consequential, or exemplary damages or any nature, including without limitation lost business or profits. Notwithstanding the foregoing, if for any reason Hunter is found to be liable, in no event shall Hunter’s liability exceed the price of the product which gives rise to the claim, loss, or damage.

If you have any questions concerning the warranty or its application, please write to:

Customer Service Department

FX Luminaire

1940 Diamond Street

San Marcos, CA 92078 USA