

## 1. Caution and Safety Instructions



- Qualified personnel must install this product in a manner consistent with its intended use and in compliance with the National Electrical Code, Canadian Electrical Code, and/or all local and provincial Codes.
- Follow all product label information and installation instructions.
- Qualified personnel must perform all servicing of this product.
- Turn off power at the fuse or circuit breaker before installation or servicing.
- The use of damaged components may cause an unsafe condition and void the product warranty.
- Do not block light emanating from the product in whole or part.
- Never operate the fixture with a missing or damaged lens. The lens must be cleaned on a regular basis.
- Portions of the fixture may become extremely hot. Do not touch the hot lens or fixture body. Do not touch the light source at any time.
- Keep all gaskets and sealing surfaces clean during installation and servicing; failure to do so may lead to premature failure of the product.

## 2. Product Information



### Tools Needed

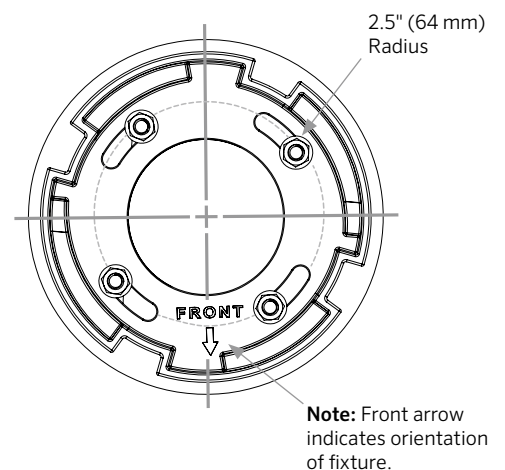
**Installation:** 9/16" (14 mm), 7/16" (11 mm) wrench or socket, and 5/32" Allen key

**Servicing:** #2 Phillips screwdriver

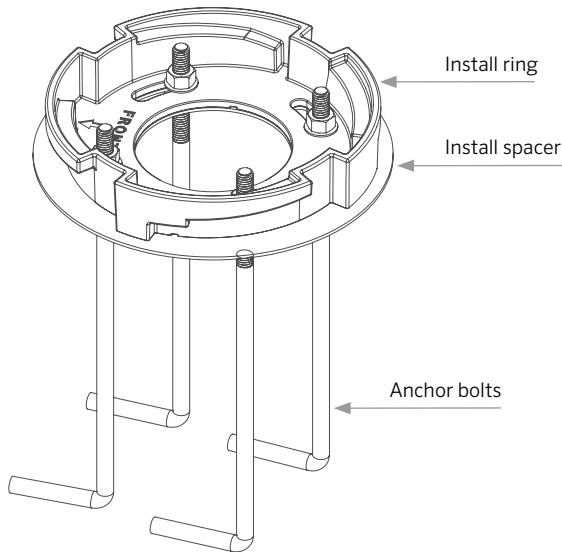
### Power Requirements

	Standard Voltage (SV)	Universal Voltage (UV)	High Voltage (HV)
<b>Input Power</b>	120V/60Hz	110V to 277V/60Hz	220V to 240V/50Hz
<b>Dimming</b>	Phase	0-10V	N/A
<b>Number of Wires</b>	3	5	3
	Black, White, Green	Black, White, Green, Purple, Gray	Brown, Blue, Green/Yellow

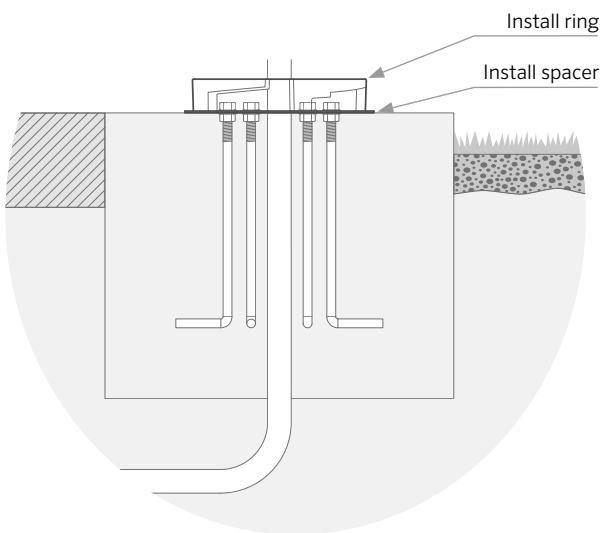
*Bolt Pattern Dimensions:  
Top View*



### 3. Product Installation

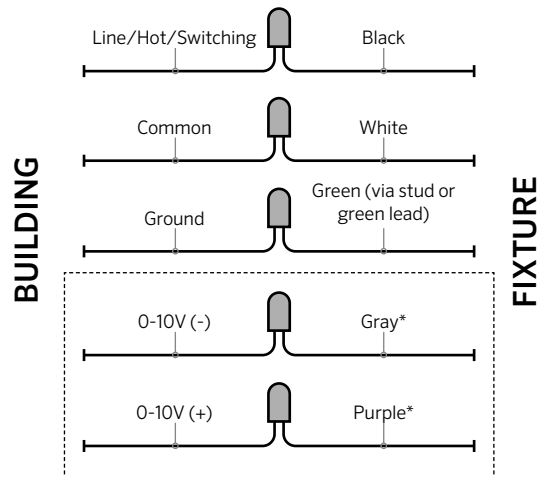


1. Assemble the install ring, install spacer, and 3/8" (10 mm) anchor bolts (included) to prepare for installation in a concrete base. Be sure to follow local codes and structural guidelines for sizing of the concrete base.
2. Plumb conduit/cabling through the center of the install ring.



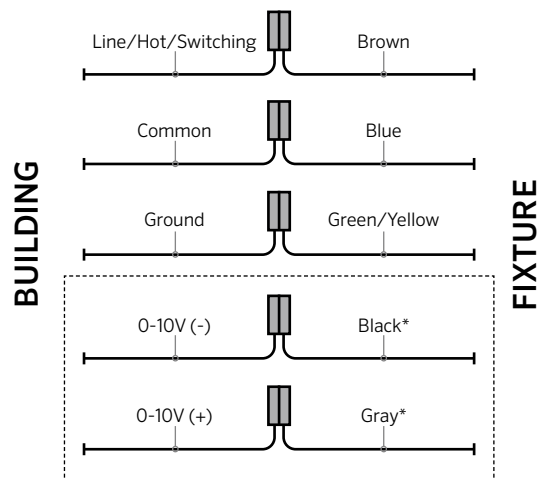
3. Ensure the ring and install spacer are flush with the concrete surface.

#### Wiring Chart (SV/UV - 60Hz)



*\*For use with 0-10V driver only*

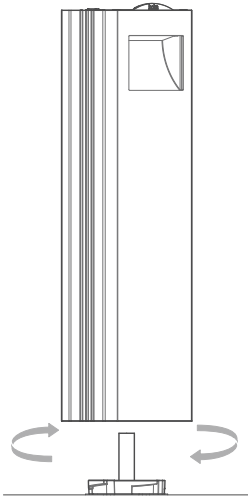
#### Wiring Chart (HV - 50Hz)



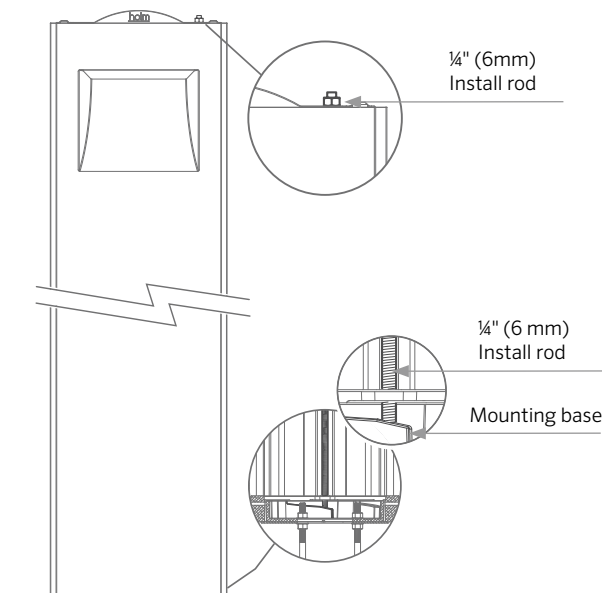
*\*For use with 0-10V driver only*

4. Carefully support the fixture while connecting the wires. Be sure to use the appropriate wiring chart and approved wire connectors.

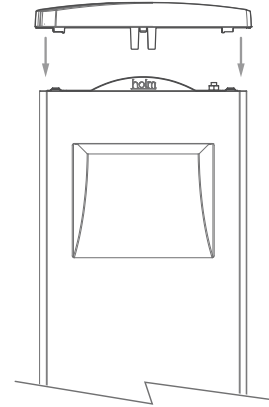
### 3. Product Installation



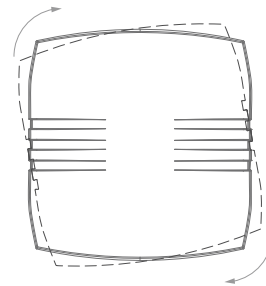
5. Lift the fixture assembly and lower it onto the mounting base assembly.
6. Align the four tabs with the grooves in the install rings.
7. Hand-turn the main assembly clockwise 45° until the main assembly locks in place.



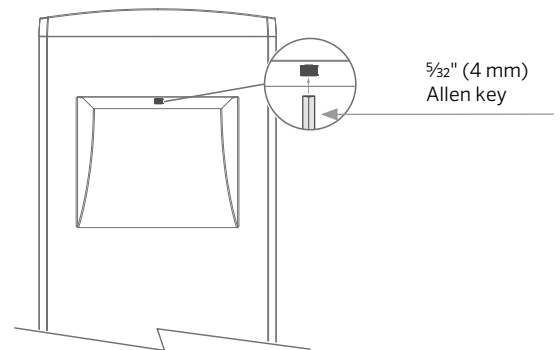
8. Lock the main assembly in place by tightening the 1/4" (6 mm) install rod at the top of main assembly until it bottoms out on the mounting base.



9. Place the cap on top of the main assembly.



10. Hand-turn the cap clockwise until the tabs engage and lock the cap in place.



11. Using a 5/32" Allen key, tighten the 10-32 setscrew at the underside of the light opening to lock the top cap in place.

## 4. Warranty

---

### STATEMENT OF LIMITED WARRANTY

Hunter Industries Incorporated (“Hunter”) warrants FX Luminaire Line-Voltage Series lighting products to be free of defects in materials or workmanship under normal use for a period of five (5) years from the date of invoice. If a defect in a FX Luminaire product is discovered during the applicable warranty period, Hunter will repair or replace, at its option, the product or the defective part. This limited warranty does not extend to repairs, adjustments, or replacement of FX Luminaire products or parts resulting from misuse, negligence, alteration, modification, tampering, or improper installation and/or maintenance of the product. This warranty extends only to the original installer of the product. If a defect arises in a FX Luminaire product or part during the warranty period, contact the local authorized manufacturer’s representative. Hunter’s obligation to repair or replace its products as set forth above is the sole and exclusive warranty set forth by Hunter. There are no other warranties, expressed or implied, including warranties of merchantability and fitness for a particular purpose. Hunter will not be liable to distributor or any other party in strict liability, tort, contract, or any other manner for damages caused or claimed to be caused as a result of any design or defect in FX Luminaire products, or for any special, incidental, consequential, or exemplary damages or any nature, including without limitation lost business or profits. Notwithstanding the foregoing, if for any reason Hunter is found to be liable, in no event shall Hunter’s liability exceed the price of the product which gives rise to the claim, loss, or damage.

If you have any questions concerning the warranty or its application, please write to:

Customer Service Department  
FX Luminaire  
1940 Diamond Street  
San Marcos, CA 92078 USA